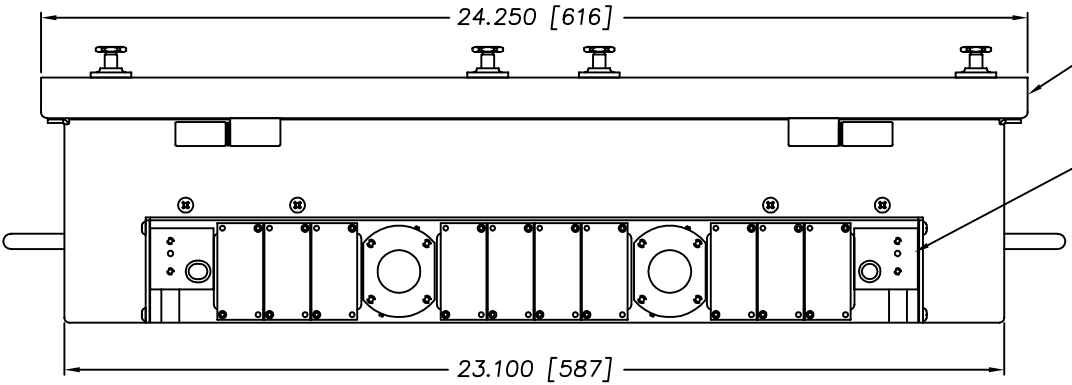
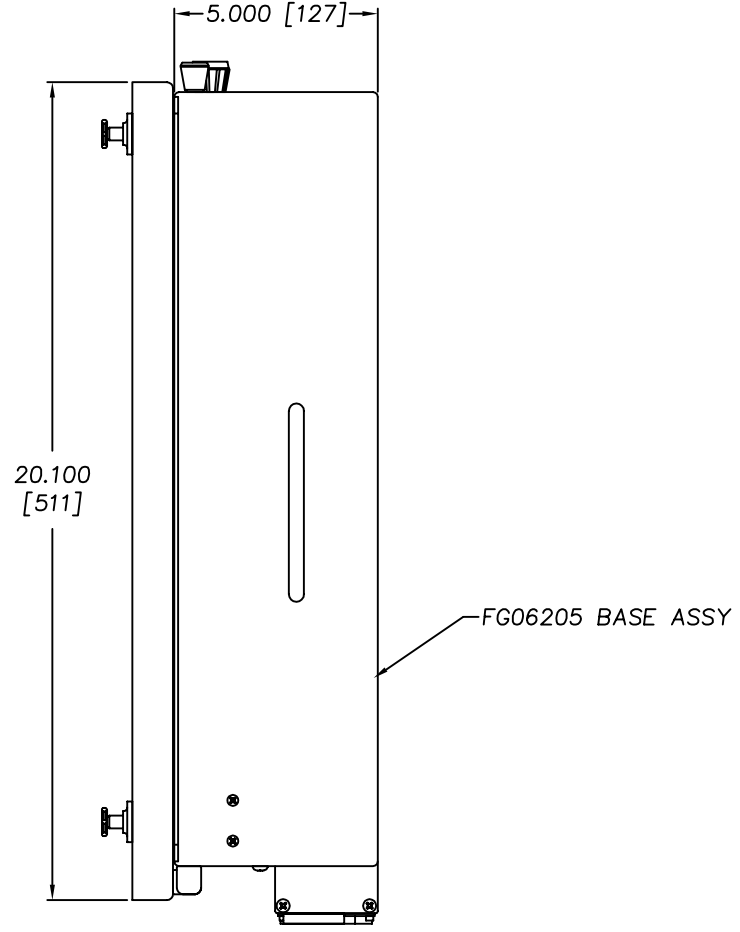
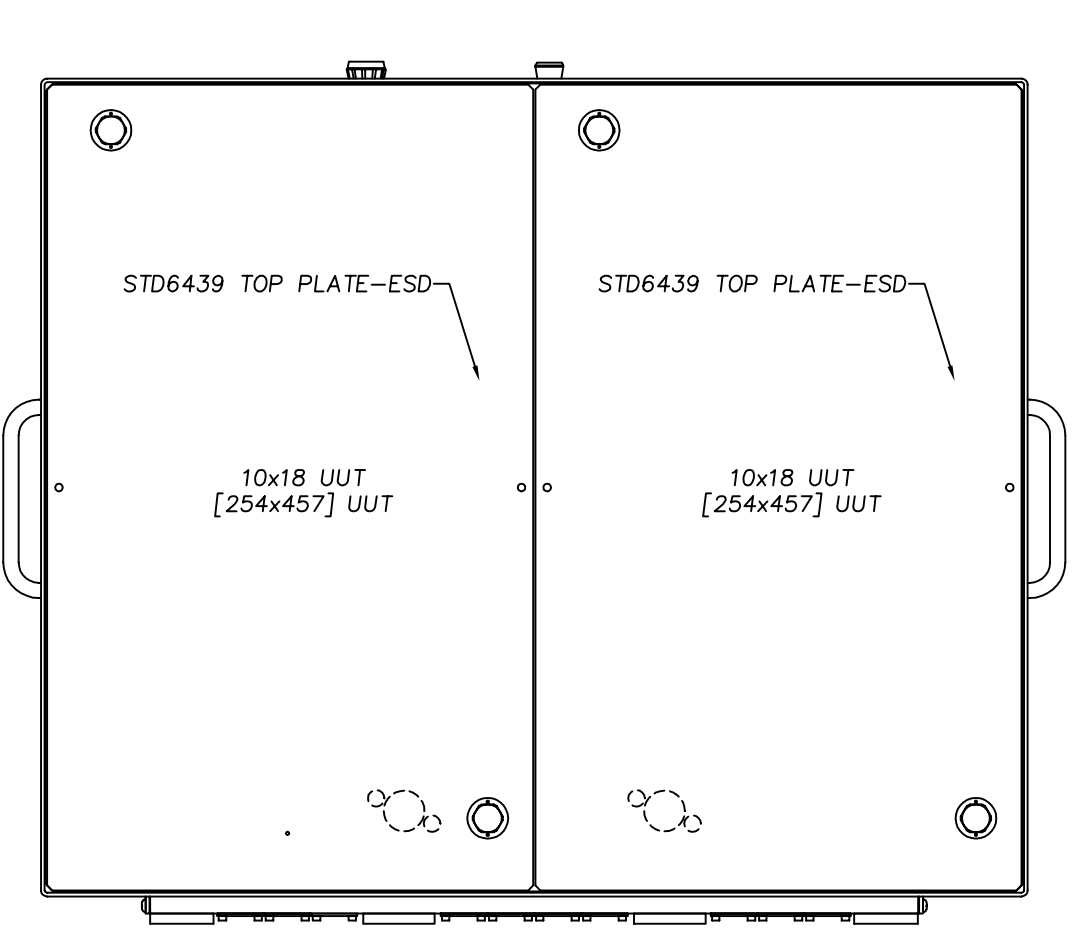


REVISIONS			
LTR	DESCRIPTION	DATE	APPROVED
A	QUICK TWIST SERIES	01/01/2007	JAG



THIS DRAWING IS FOR ASSEMBLY REFERENCE ONLY.

		UNLESS OTHERWISE SPECIFIED DIMENSIONS ARE IN INCHES (MM) TOLERANCES ARE: .XX .XXX ANGLES ±.015 ±.005 ±1/2°	<b>H+W TEST PRODUCTS</b> SEEKONK, MASSACHUSETTS	
		MATERIAL SEE BILL OF MATERIALS	FIXTURE ASSEMBLY GENRAD 2270/2271	
		FINISH	SIZE	FSCM NO.
			E	
NEXT ASSY		USED ON	DRAWING NO. RG06054 A	
APPLICATION		DO NOT SCALE DRAWING	SCALE	REV. A
			FULL	01/01/2007
			DRAWN	SHEET 1 OF 1
			JAG	

FILE NO.  
RG06054A