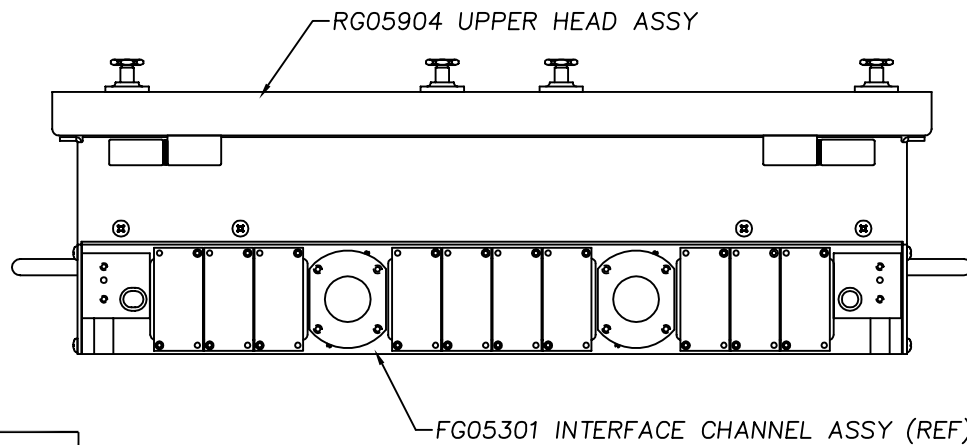
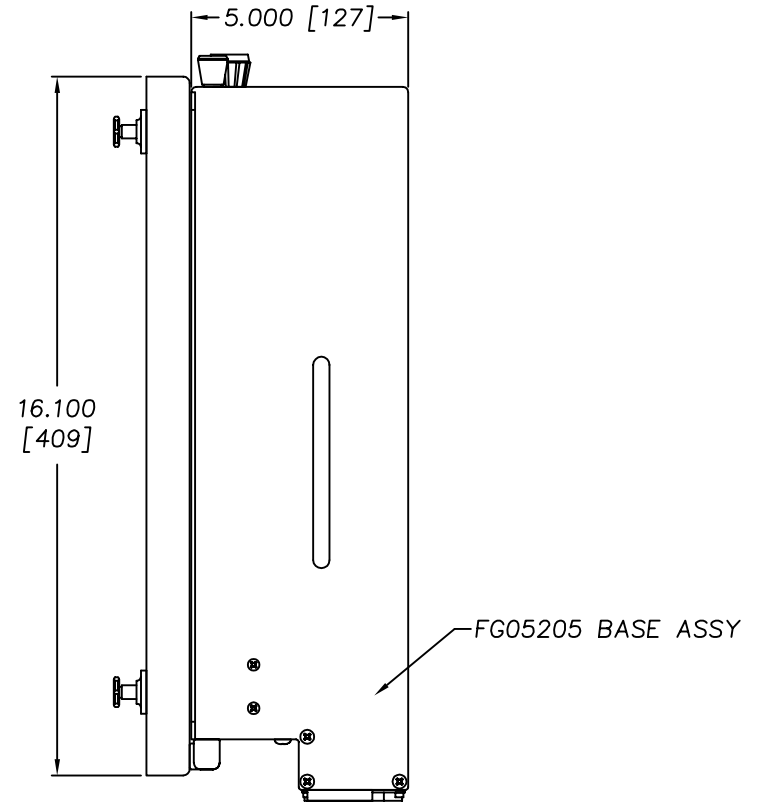
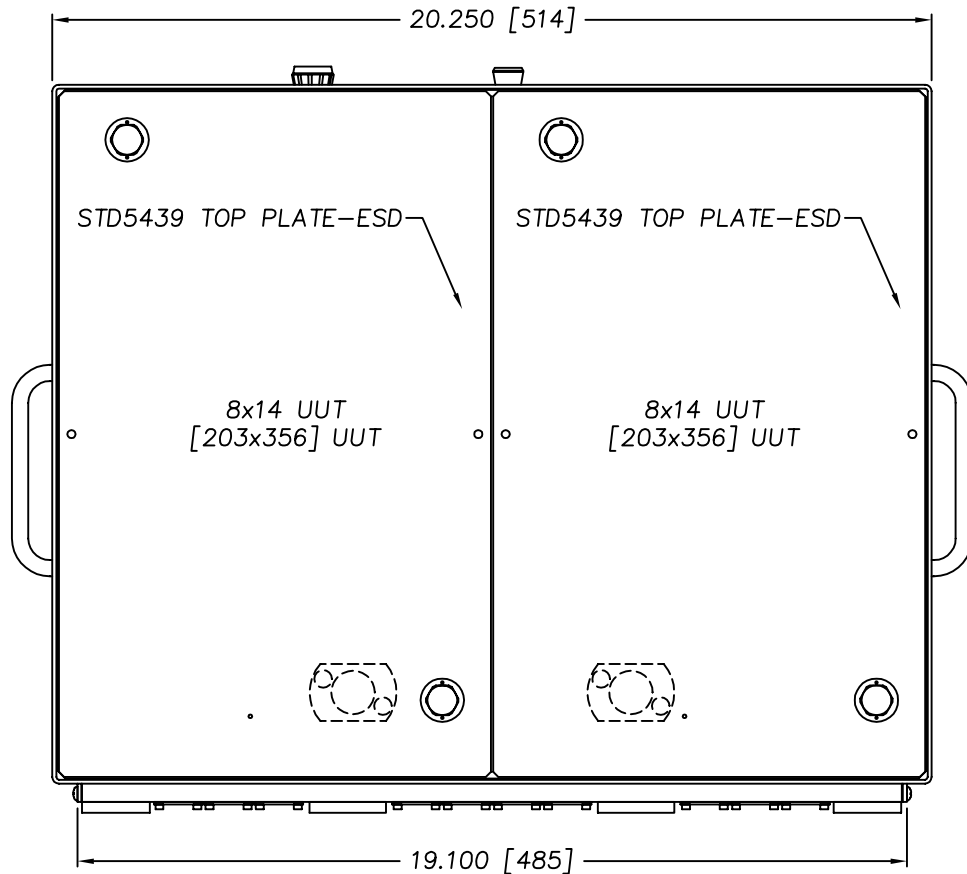


| REVISIONS | | | |
|-----------|--------------------|------------|----------|
| LTR | DESCRIPTION | DATE | APPROVED |
| A | QUICK TWIST SERIES | 01/01/2007 | JAG |



FILE NO.
RG05054A

| | | | | |
|-------------|--|--|--|-----------------------------------|
| | | UNLESS OTHERWISE SPECIFIED DIMENSIONS ARE IN INCHES (MM) TOLERANCES ARE: .XX .XXX ANGLES ±.015 ±.005 ±1/2° | H+W TEST PRODUCTS SEEKONK, MASSACHUSETTS | |
| | | MATERIAL SEE BILL OF MATERIALS | FIXTURE ASSEMBLY GENRAD 2270/2271 | |
| | | FINISH | SIZE | FSCM NO. |
| | | | D | |
| NEXT ASSY | | USED ON | DRAWING NO. | |
| APPLICATION | | | RG05054 A | |
| | | DO NOT SCALE DRAWING | SCALE FULL | DRAWN JAG 01/01/2007 SHEET 1 OF 1 |