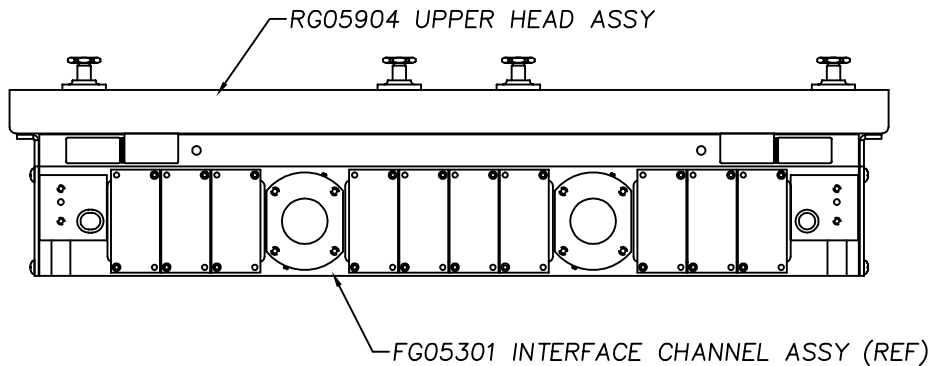
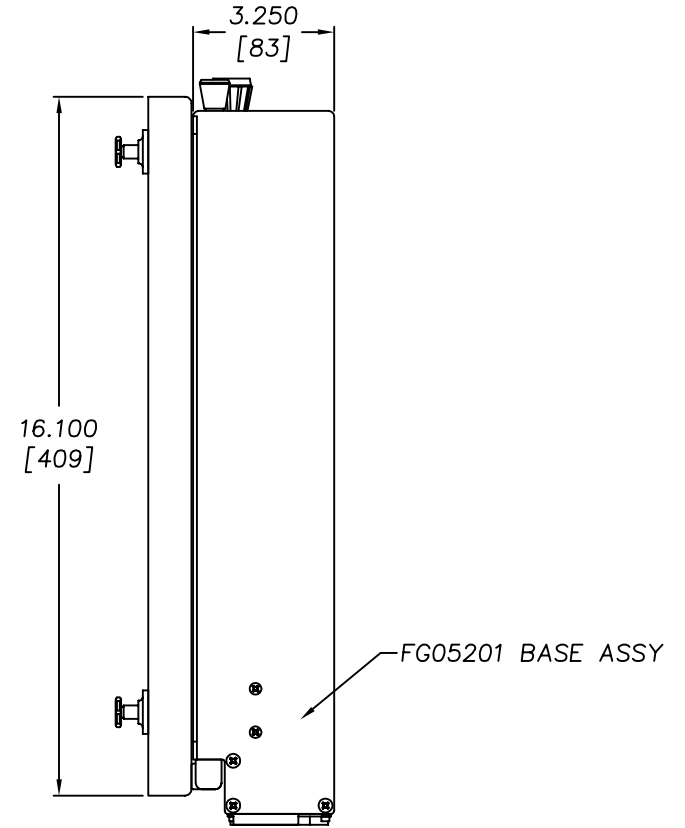
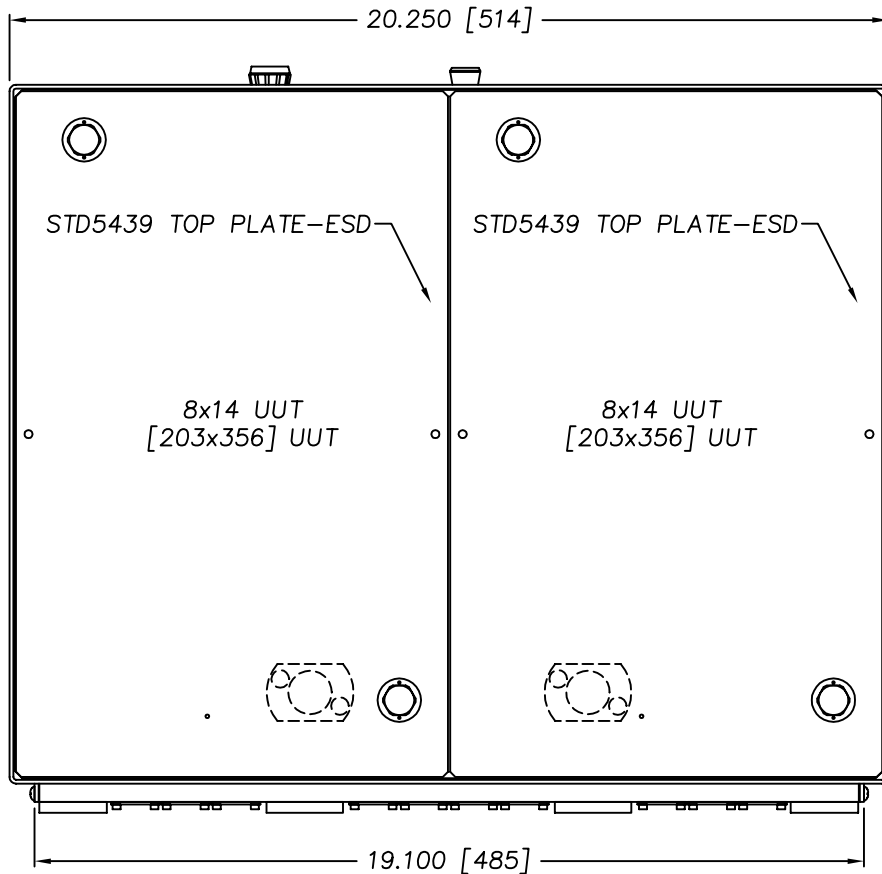


REVISIONS			
LTR	DESCRIPTION	DATE	APPROVED
A	QUICK TWIST SERIES	01/01/2007	JAG



		UNLESS OTHERWISE SPECIFIED DIMENSIONS ARE IN INCHES (MM) TOLERANCES ARE: .XX .XXX ANGLES ±.015 ±.005 ±1/2°	<b>H+W TEST PRODUCTS</b> SEEKONK, MASSACHUSETTS	
		MATERIAL SEE BILL OF MATERIALS	FIXTURE ASSEMBLY GENRAD 2270/2271	
		FINISH	SIZE D	FSCM NO.
			DRAWING NO. RG05004 A	
NEXT ASSY		USED ON	SCALE FULL	REV.
APPLICATION		DO NOT SCALE DRAWING	DRAWN JAG 01/01/2007 SHEET 1 OF 1	

FILE NO.  
RG05004A