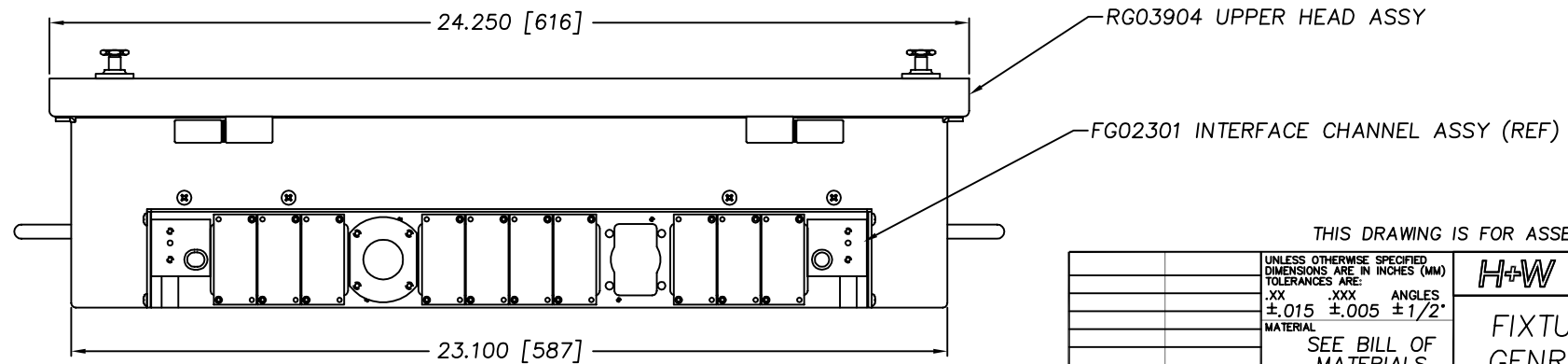
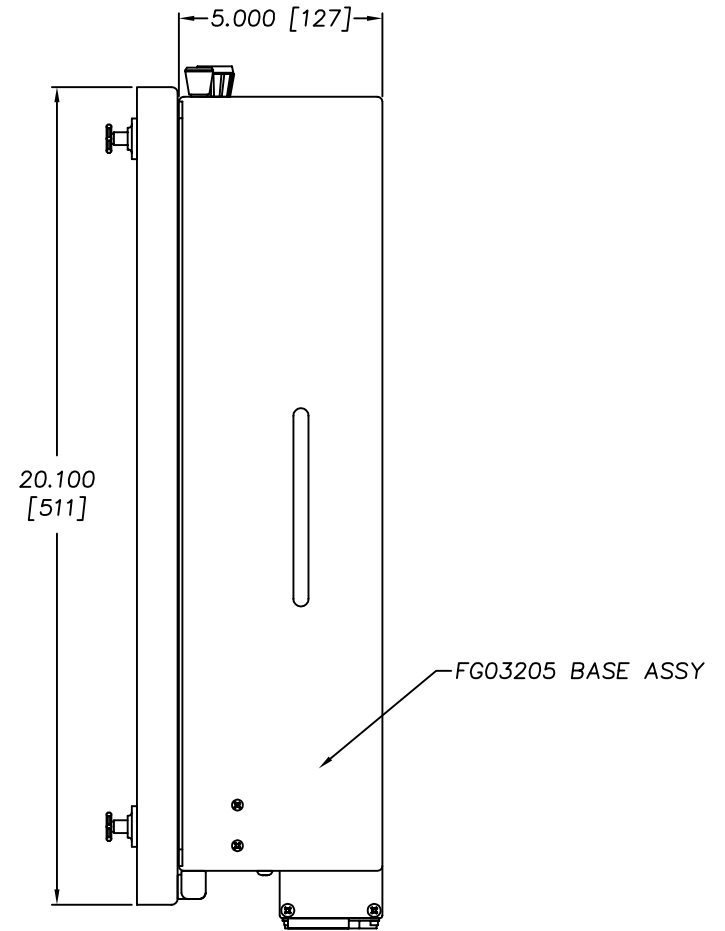
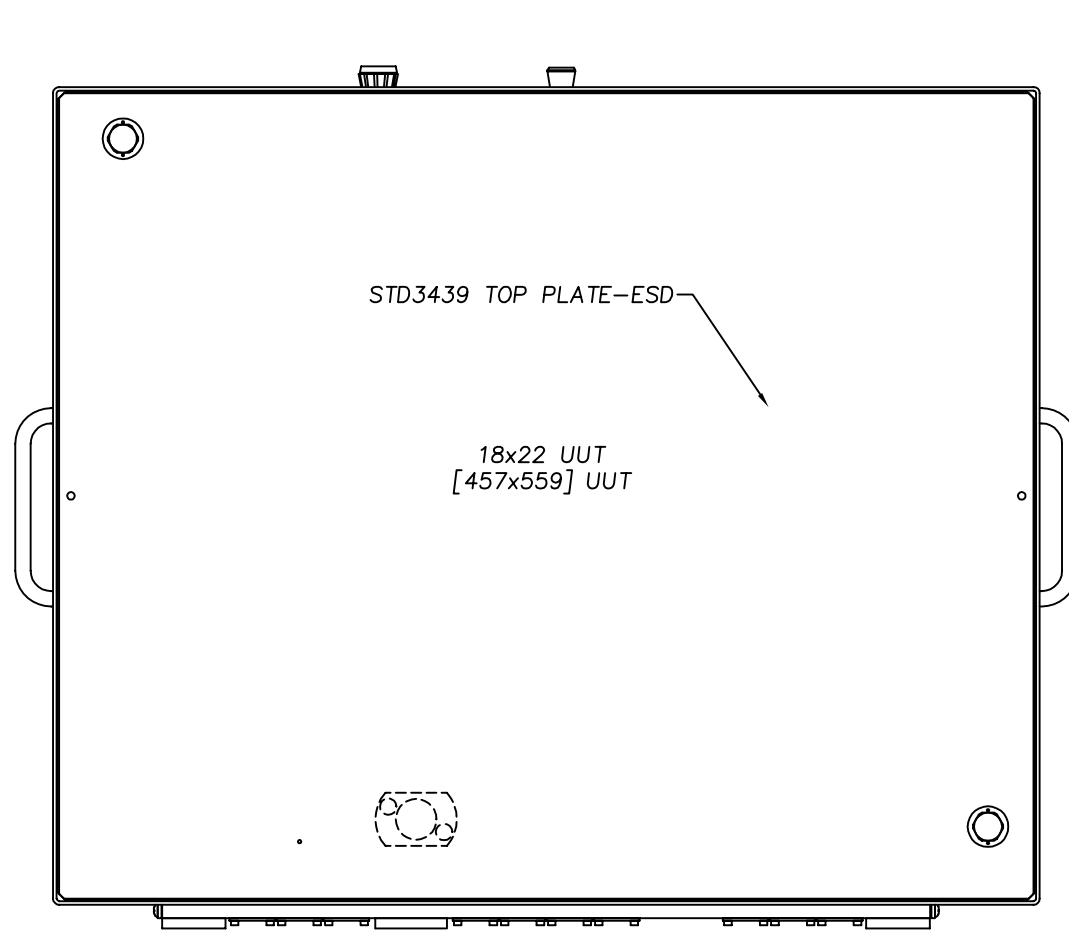


REVISIONS			
LTR	DESCRIPTION	DATE	APPROVED
A	QUICK TWIST SERIES	01/01/2007	JAG



THIS DRAWING IS FOR ASSEMBLY REFERENCE ONLY.

		UNLESS OTHERWISE SPECIFIED DIMENSIONS ARE IN INCHES (MM) TOLERANCES ARE: .XX .XXX ANGLES ±.015 ±.005 ±1/2°		H+W TEST PRODUCTS SEEKONK, MASSACHUSETTS	
		MATERIAL SEE BILL OF MATERIALS		FIXTURE ASSEMBLY GENRAD 2270/2271	
		FINISH		SIZE	FSCM NO.
				E	
NEXT ASSY		USED ON		DRAWING NO. RG03054 A	
APPLICATION		DO NOT SCALE DRAWING		SCALE FULL DRAWN JAG 01/01/2007 SHEET 1 OF 1	

FILE NO.
RG03054A