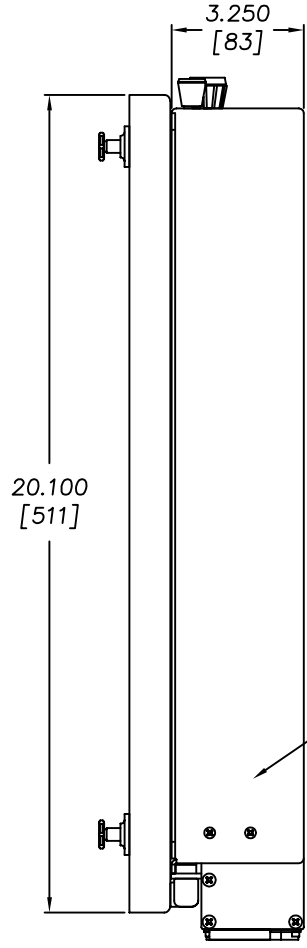
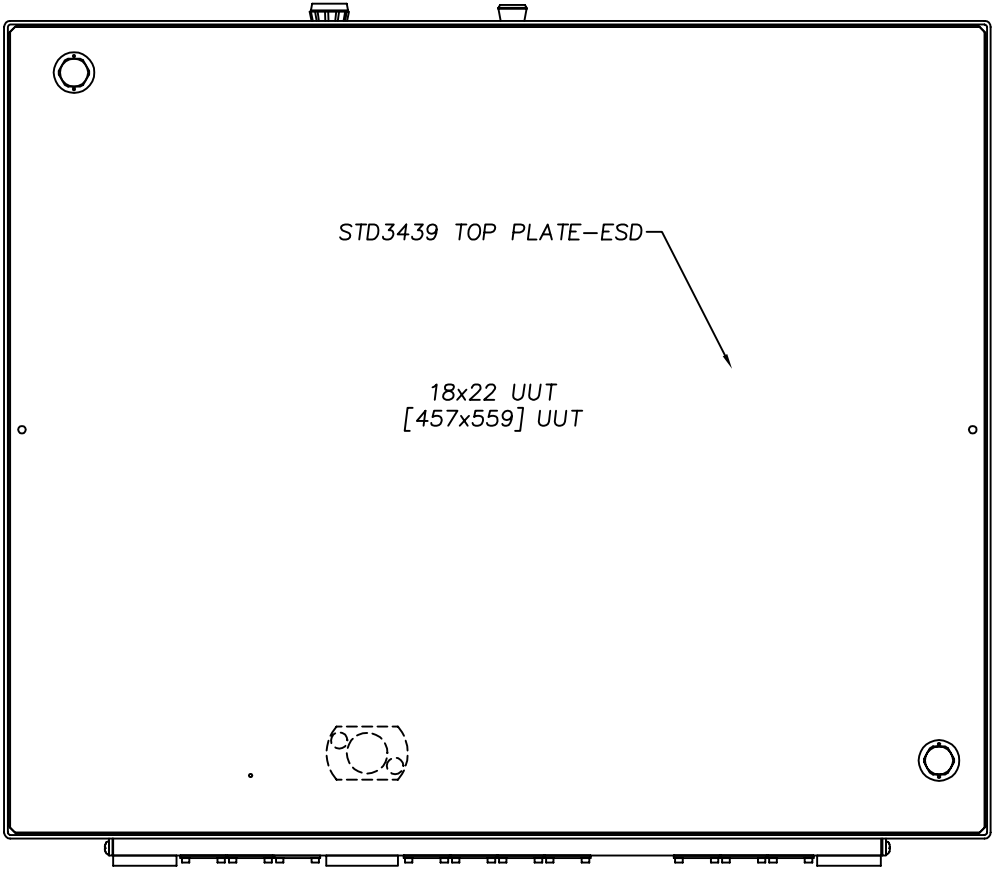
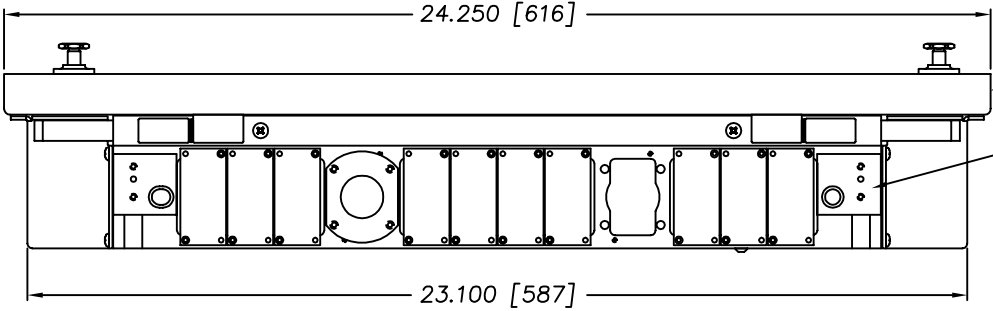


REVISIONS			
LTR	DESCRIPTION	DATE	APPROVED
A	QUICK TWIST SERIES	01/01/2007	JAG



FG03201 BASE ASSY



RG03904 UPPER HEAD ASSY

FG02301 INTERFACE CHANNEL ASSY (REF)

THIS DRAWING IS FOR ASSEMBLY REFERENCE ONLY.

		UNLESS OTHERWISE SPECIFIED DIMENSIONS ARE IN INCHES (MM) TOLERANCES ARE: .XX .XXX ANGLES ±.015 ±.005 ±1/2°	H+W TEST PRODUCTS SEEKONK, MASSACHUSETTS	
		MATERIAL SEE BILL OF MATERIALS	FIXTURE ASSEMBLY GENRAD 2270/2271	
		FINISH	SIZE	FSCM NO.
			E	
NEXT ASSY		USED ON	DRAWING NO. RG03004 A	
APPLICATION		DO NOT SCALE DRAWING	SCALE	REV. 1 OF 1
			FULL	
			DRAWN	
			JAG	
			01/01/2007	
			SHEET	
			1 OF 1	

FILE NO.
RG03004A