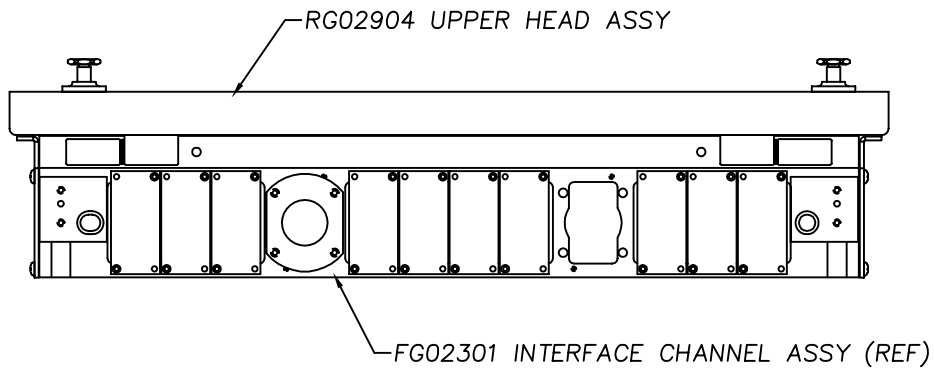
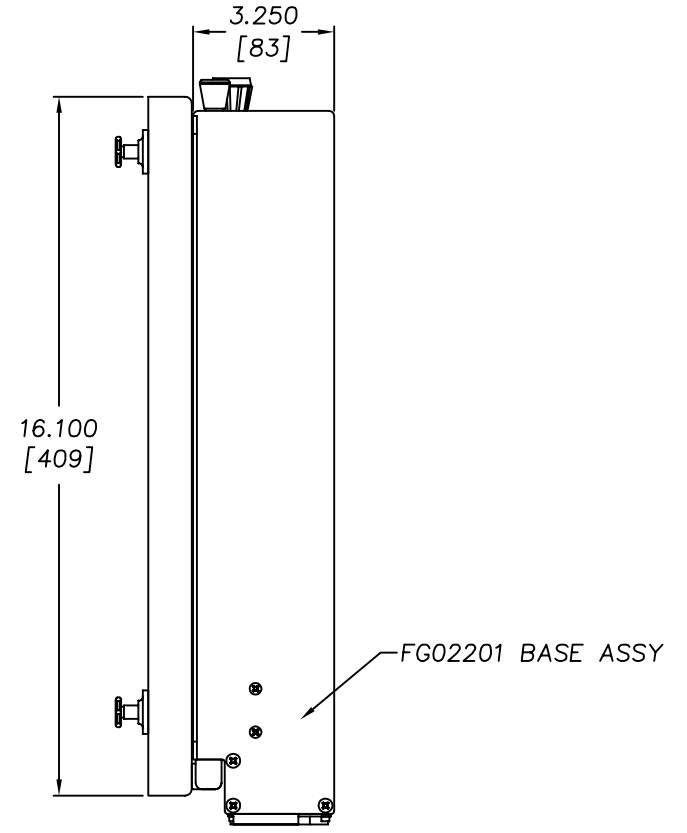
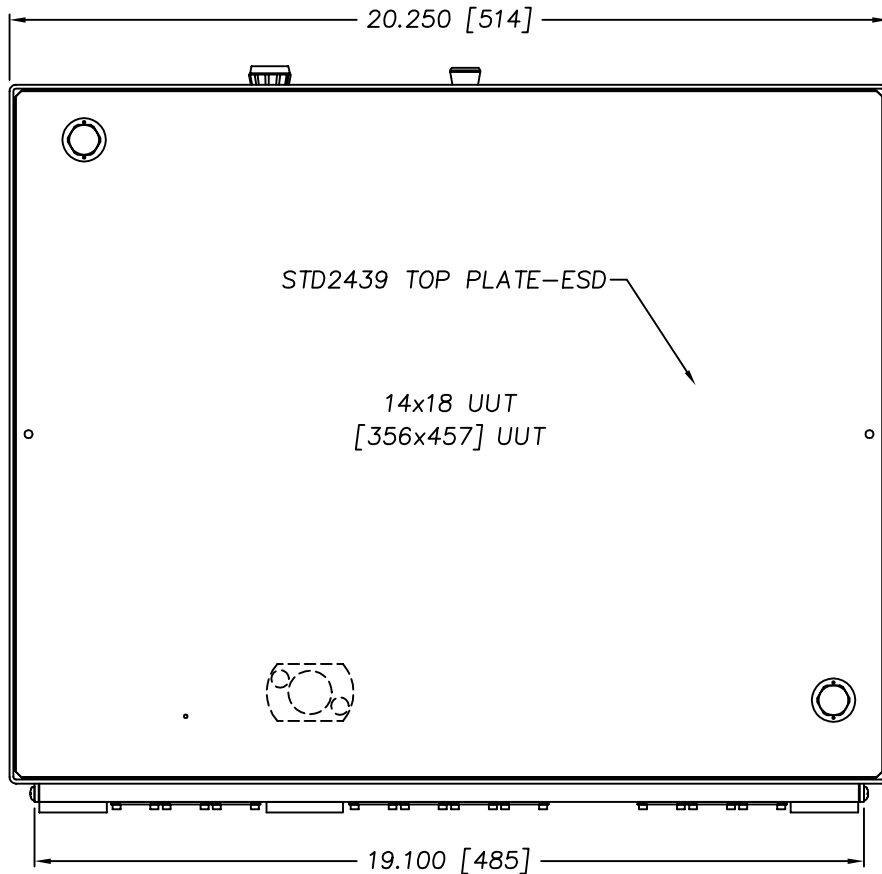


REVISIONS			
LTR	DESCRIPTION	DATE	APPROVED
A	QUICK TWIST SERIES	01/01/2007	JAG



		UNLESS OTHERWISE SPECIFIED DIMENSIONS ARE IN INCHES (MM) TOLERANCES ARE: .XX .XXX ANGLES ±.015 ±.005 ±1/2°		H+W TEST PRODUCTS SEEKONK, MASSACHUSETTS FIXTURE ASSEMBLY GENRAD 2270/2271	
		SEE BILL OF MATERIALS			
		FINISH		SIZE	FSCM NO.
				D	
NEXT ASSY		USED ON		DRAWING NO.	
APPLICATION		DO NOT SCALE DRAWING		RG02004 A	
				SCALE	REV.
				FULL	
				DRAWN	JAG
				01/01/2007	SHEET 1 OF 1

FILE NO.
RG02004A