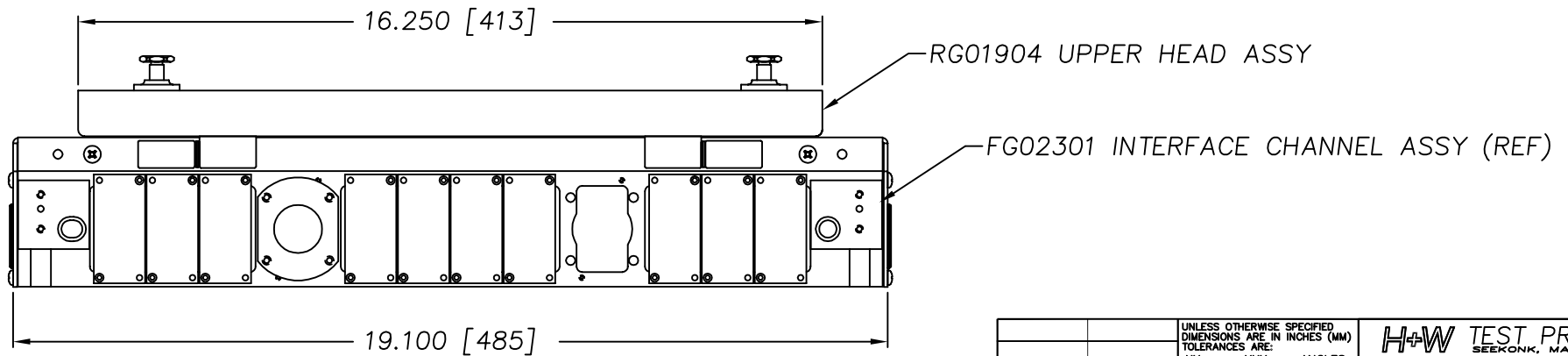
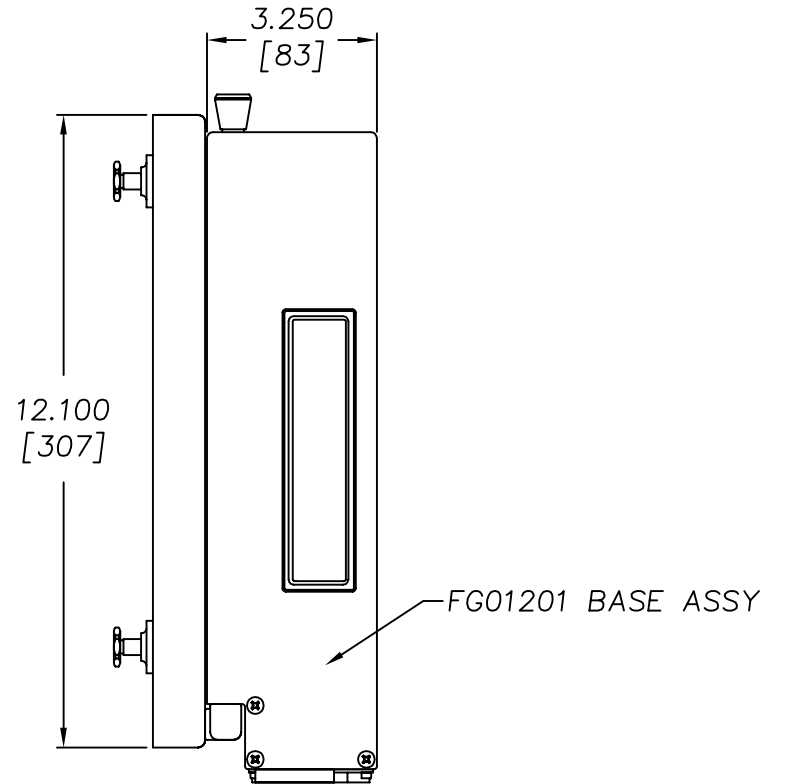
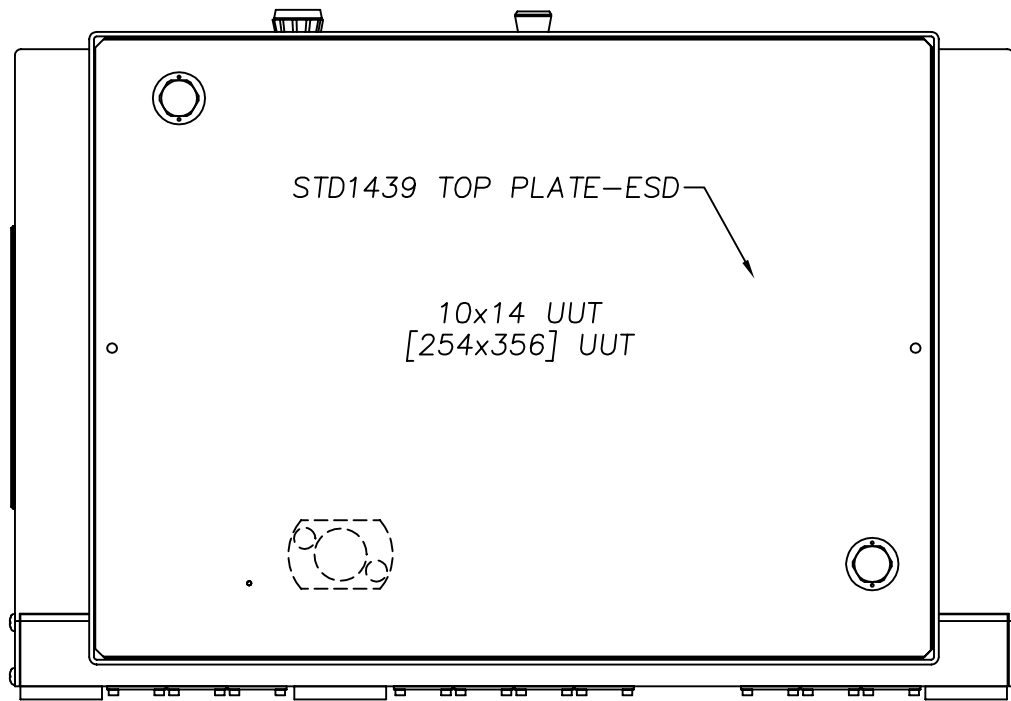


REVISIONS			
LTR	DESCRIPTION	DATE	APPROVED
A	QUICK TWIST SERIES	01/01/2007	JAG



		UNLESS OTHERWISE SPECIFIED DIMENSIONS ARE IN INCHES (MM) TOLERANCES ARE: .XX .XXX ANGLES ±.015 ±.005 ±1/2°	H+W TEST PRODUCTS SEEKONK, MASSACHUSETTS	
		MATERIAL SEE BILL OF MATERIALS	FIXTURE ASSEMBLY GENRAD 2270/2271	
		FINISH NONE	SIZE E	FSCM NO. DRAWING NO. REV. RG01004 A
NEXT ASSY	USED ON	APPLICATION	SCALE FULL	DRAWN JAG 01/01/2007 SHEET 1 OF 1

FILE NO.
RG01004A