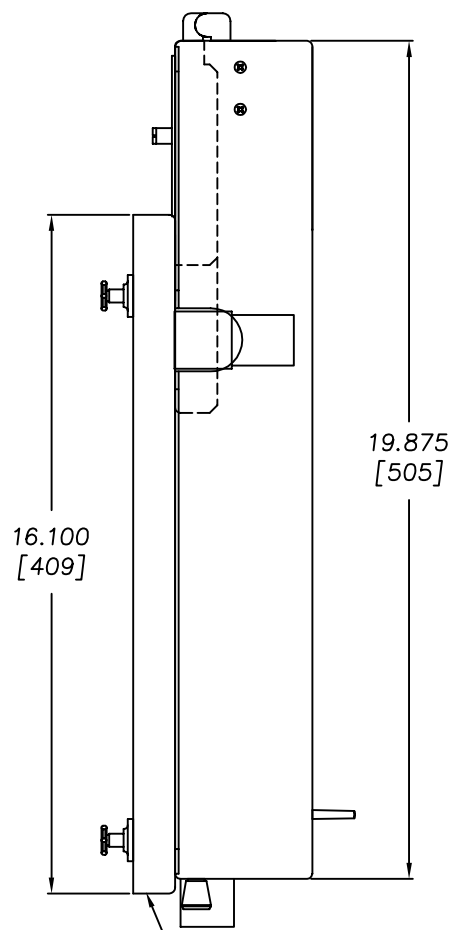
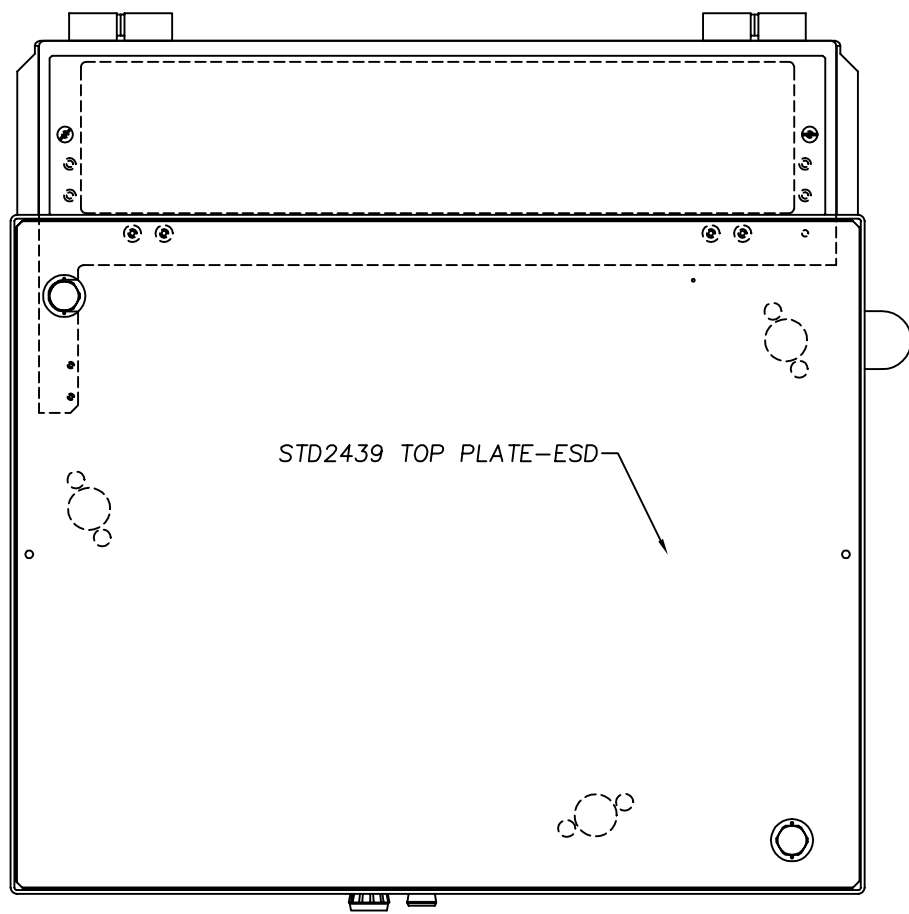
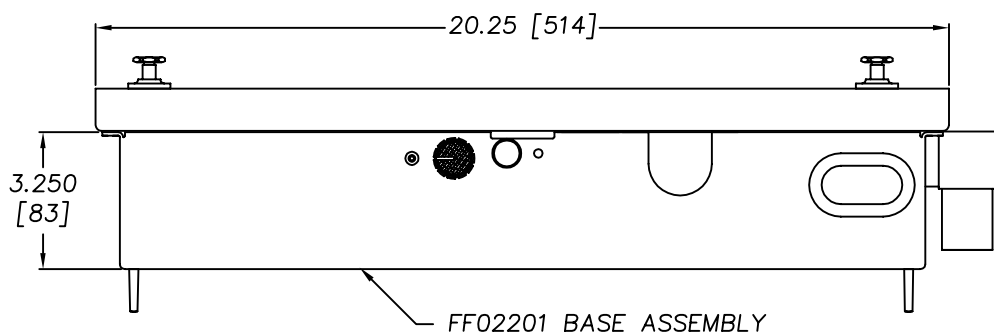


REVISIONS			
LTR	DESCRIPTION	DATE	APPROVED
A	QUICK TWIST SERIES	01/01/04	JAG



FACTRON 700 SERIES
700, 720, 722, 730
733, 750, 770



		UNLESS OTHERWISE SPECIFIED DIMENSIONS ARE IN INCHES (MM) TOLERANCES ARE: .XX .XXX ANGLES ±.010 ±.005 ±1/2°	H+W TEST PRODUCTS SEEKONK, MASSACHUSETTS	
		MATERIAL SEE BILL OF MATERIALS	FIXTURE ASSEMBLY FACTRON 700 (14x18 UUT)	
		FINISH NONE	SIZE D	FSCM NO. DRAWING NO. RF72004 A
NEXT ASSY APPLICATION		USED ON	SCALE FULL	REV. JAG 11/10/95 SHEET 1 OF 1
		DO NOT SCALE DRAWING		

FILE NO.
RF72004A