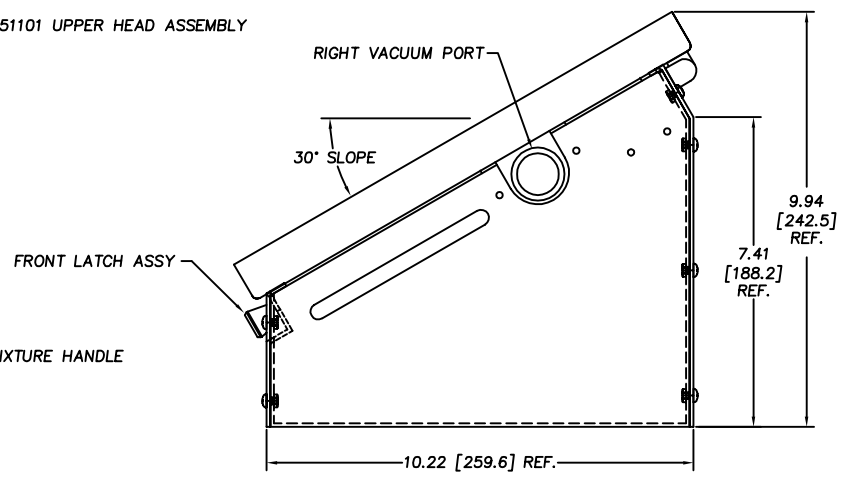
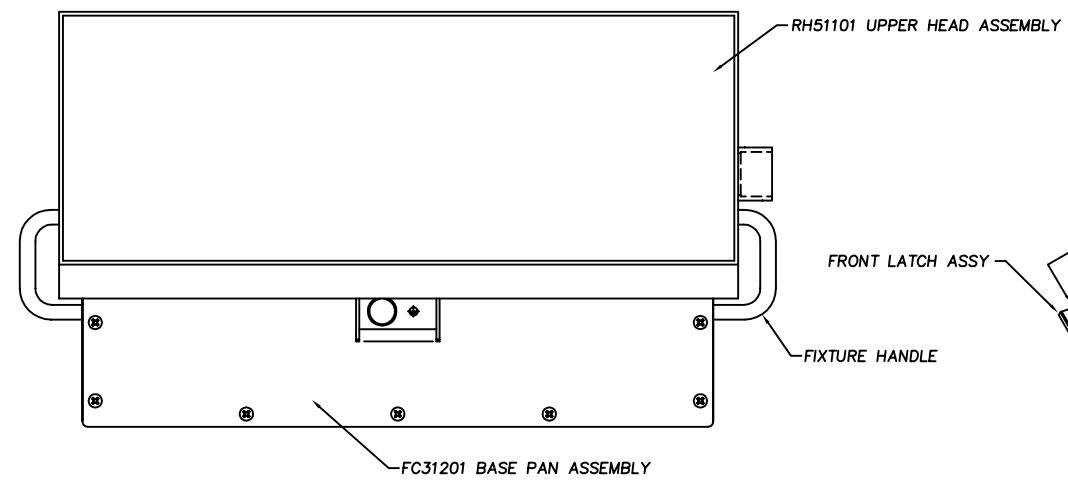
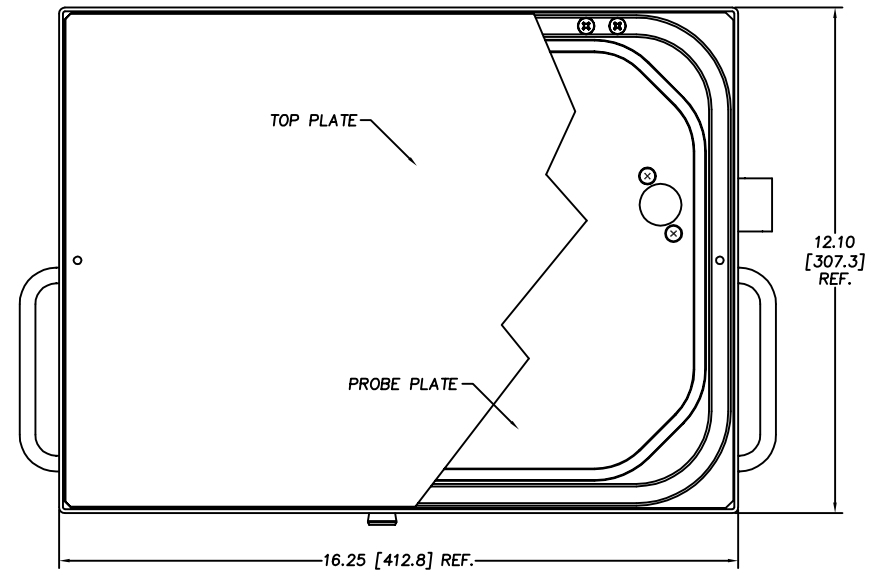


REVISIONS			
REV.	DESCRIPTION	DATE	APPROVED
A	RELEASE TO PRODUCTION	05/25/99	JAG



FILE NO. RC31001A

		UNLESS OTHERWISE SPECIFIED DIMENSIONS ARE IN INCHES (MM) TOLERANCES ARE:		<b>H+W TEST PRODUCTS</b> SEEKONK, MASSACHUSETTS				
		.XX	.XXX			ANGLES		
		± 0.015	± 0.005	± 1/2°	FIXTURE ASSEMBLY-R.H. VAC. PORT 30° SLOPE FIXTURE (10x14 UUT)			
		MATERIAL SEE BILL OF MATERIALS						
		FINISH SEE NOTES			SIZE	FSCM NO.	DWG. NO.	REV.
NEXT ASSY	USED ON	APPLICATION			D		RC31001	A
		DO NOT SCALE DRAWING			SCALE FULL	DRAWN JAG	05/25/99	SHEET 1 OF 1