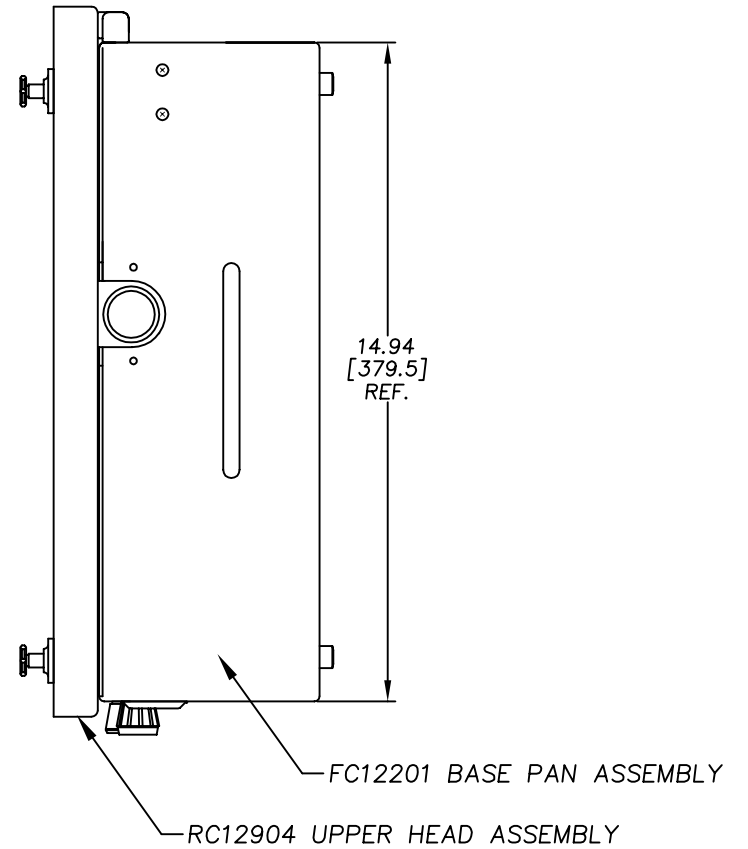
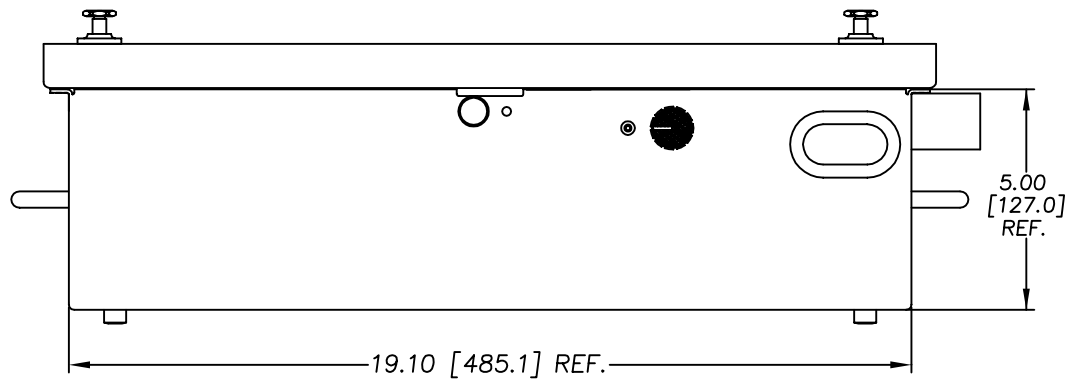
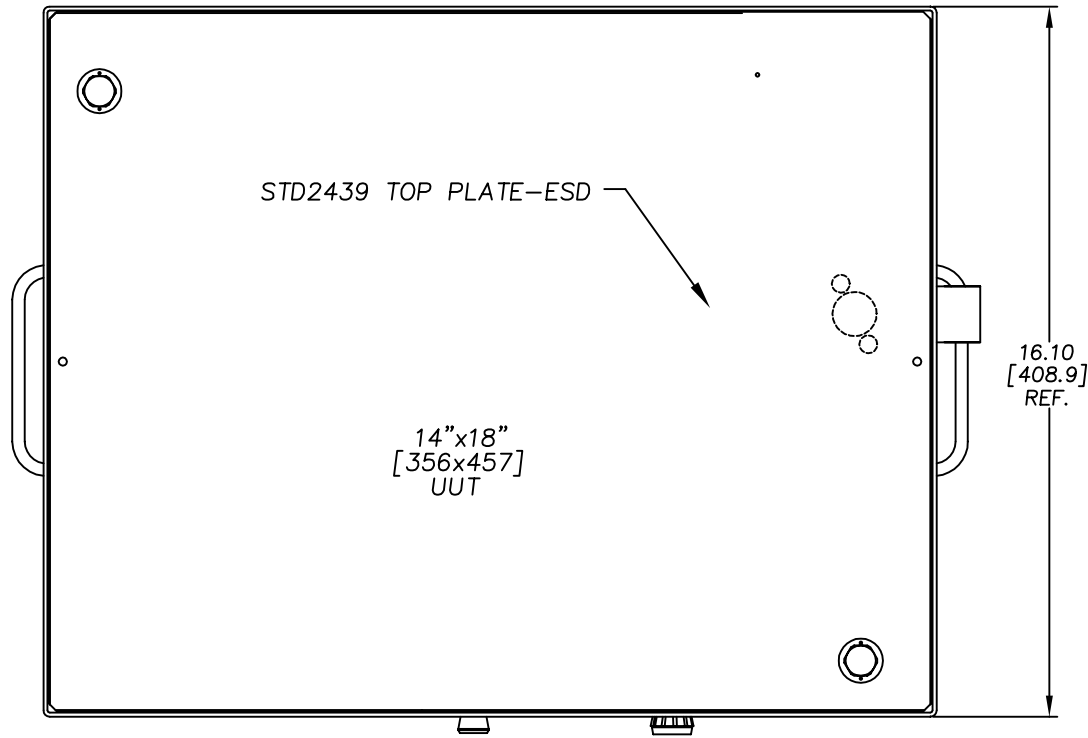


REVISIONS			
LTR	DESCRIPTION	DATE	APPROVED
A	QUICK TWST SERIES	01/01/04	JAG



		UNLESS OTHERWISE SPECIFIED DIMENSIONS ARE IN INCHES (MM) TOLERANCES ARE: .XX .XXX ANGLES ±.015 ±.005 ±1/2°	<b>H+W TEST PRODUCTS</b> SEEKONK, MASSACHUSETTS  FIXTURE ASSEMBLY SYSTEM NON-SPECIFIC			
		MATERIAL SEE BILL OF MATERIALS				
		FINISH NONE	SIZE D	FSCM NO.	DRAWING NO. RC12004 A	REV.
NEXT ASSY	USED ON	APPLICATION	DO NOT SCALE DRAWING	SCALE FULL	DRAWN JAG	08/11/98 SHEET 1 OF 1

FILE NO.  
RC12004A