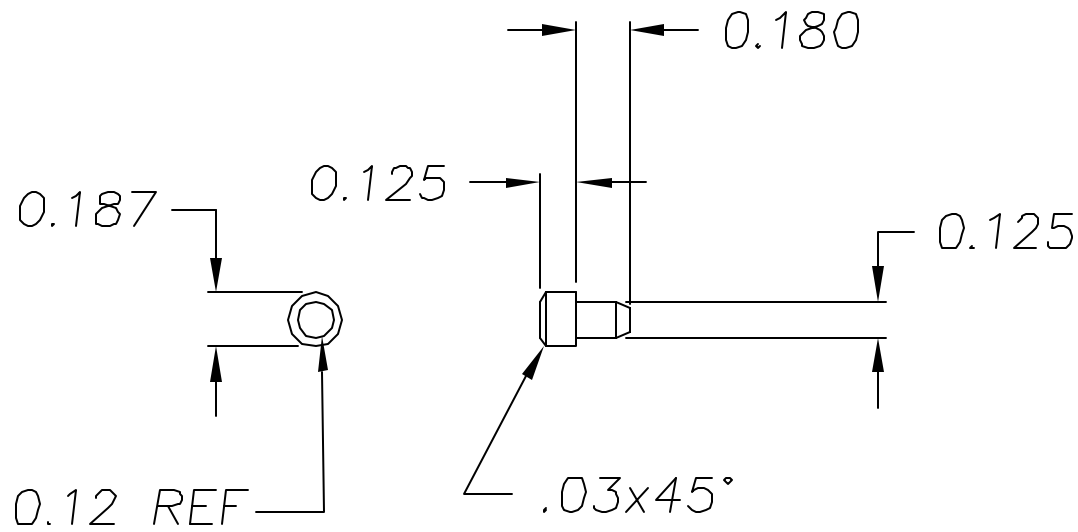


REVISIONS			
REV.	DESCRIPTION	DATE	APPROVED
B	CHANGED MATERIAL	03/23/2012	JRA



FILE NO. **STD1154B**

		UNLESS OTHERWISE SPECIFIED DIMENSIONS ARE IN INCHES (MM) TOLERANCES ARE: .XX .XXX ANGLES $\pm 0.015$ $\pm 0.005$ $\pm 1/2^\circ$		<b>H+W TEST PRODUCTS</b> SEEKONK, MASSACHUSETTS <b>UNIVERSAL SUPPORT,          INTERFACE &amp; UUT</b>				
		MATERIAL ESD DELRIN						
NEXT ASSY	TOP ASSY	FINISH		SIZE <b>B</b>	FSCM NO.	DWG. NO. <b>STD1154</b>	REV. <b>B</b>	
NEXT ASSY USED ON		APPLICATION		SCALE <b>FULL</b>		DRAWN <b>JRA</b>	DATE <b>03/21/2012</b>	SHEET <b>1 OF 1</b>