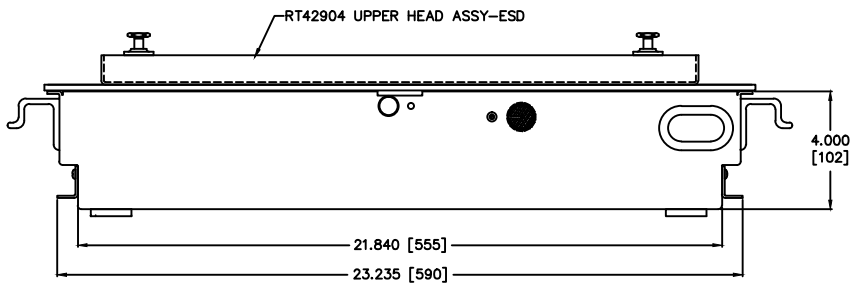
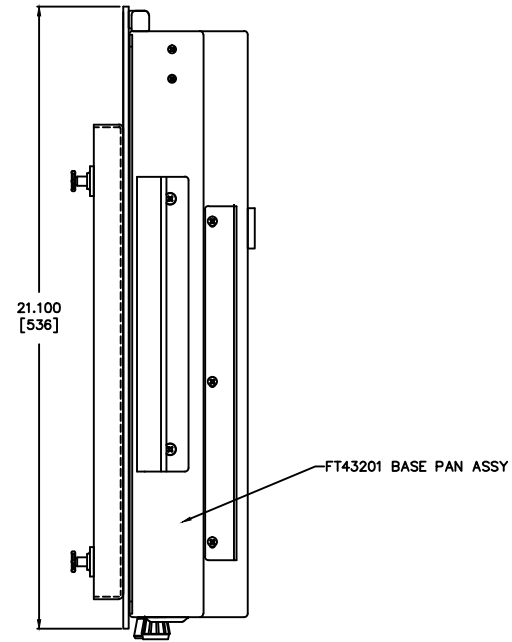
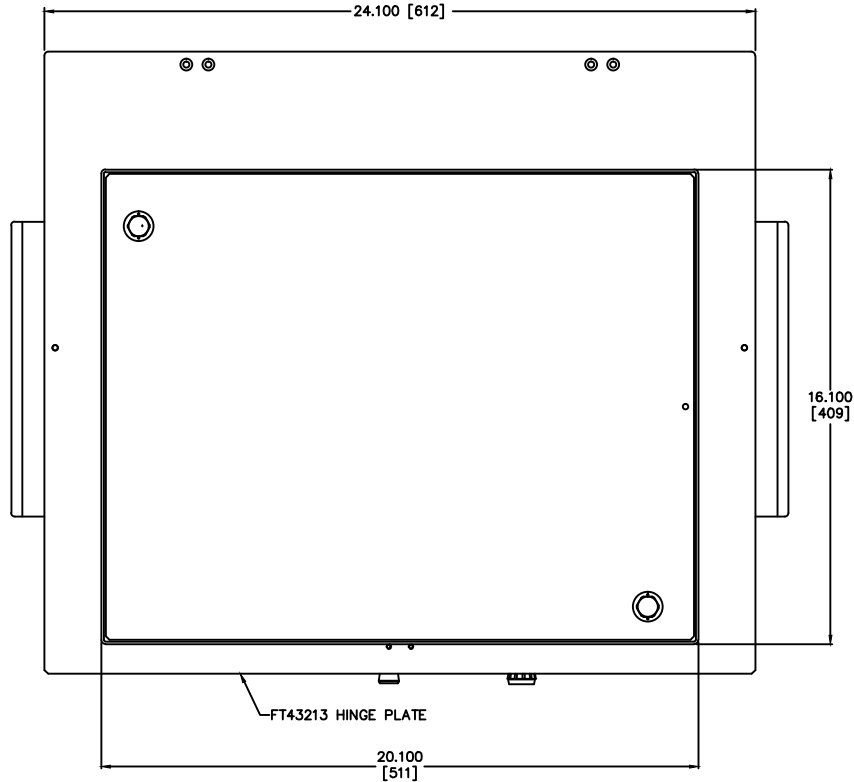


| REVISIONS | | | |
|-----------|-------------------------------|------------|----------|
| LTR | DESCRIPTION | DATE | APPROVED |
| A | RELEASE TO PRODUCTION | 02/06/2004 | JAG |
| B | PUT G2 UHA ON G3 PAN ASSEMBLY | 05/15/2015 | JRA |



| | | | | | |
|----------------------|-----------|--|-------------|---|--|
| | | UNLESS OTHERWISE SPECIFIED DIMENSIONS ARE IN INCHES [MM] TOLERANCES ARE: .XX .XXX ANGLES ±.015 ±.005 ±1/2° | | HAW TEST PRODUCTS SEEKONK, MASSACHUSETTS | |
| | | MATERIAL SEE BOM | | FIXTURE ASSY (10x18 UUT) TERADYNE TESTSTATION LH | |
| | | FINISH NONE | | SIZE D | FSCM NO. DRAWING NO. RT42004 |
| FILE NO. RT42004B | NEXT ASSY | USED ON | APPLICATION | DO NOT SCALE DRAWING | SCALE FULL DRAWN JRA 05/06/2015 SHEET 1 OF 2 |

FILE NO.
RT42004B