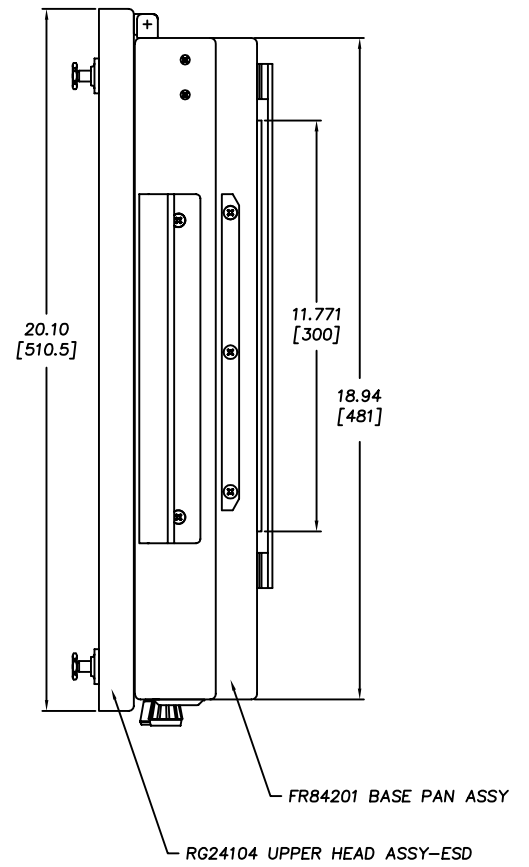
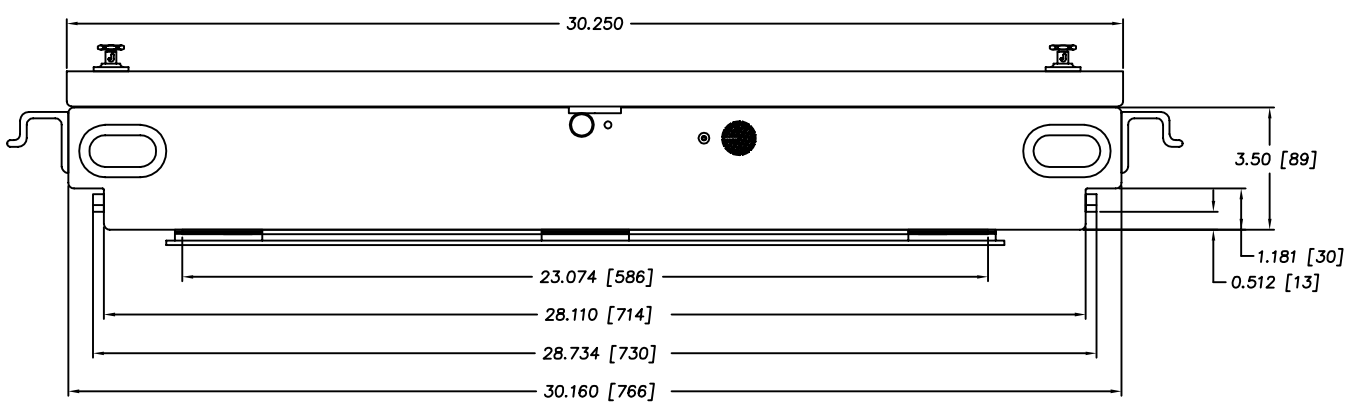
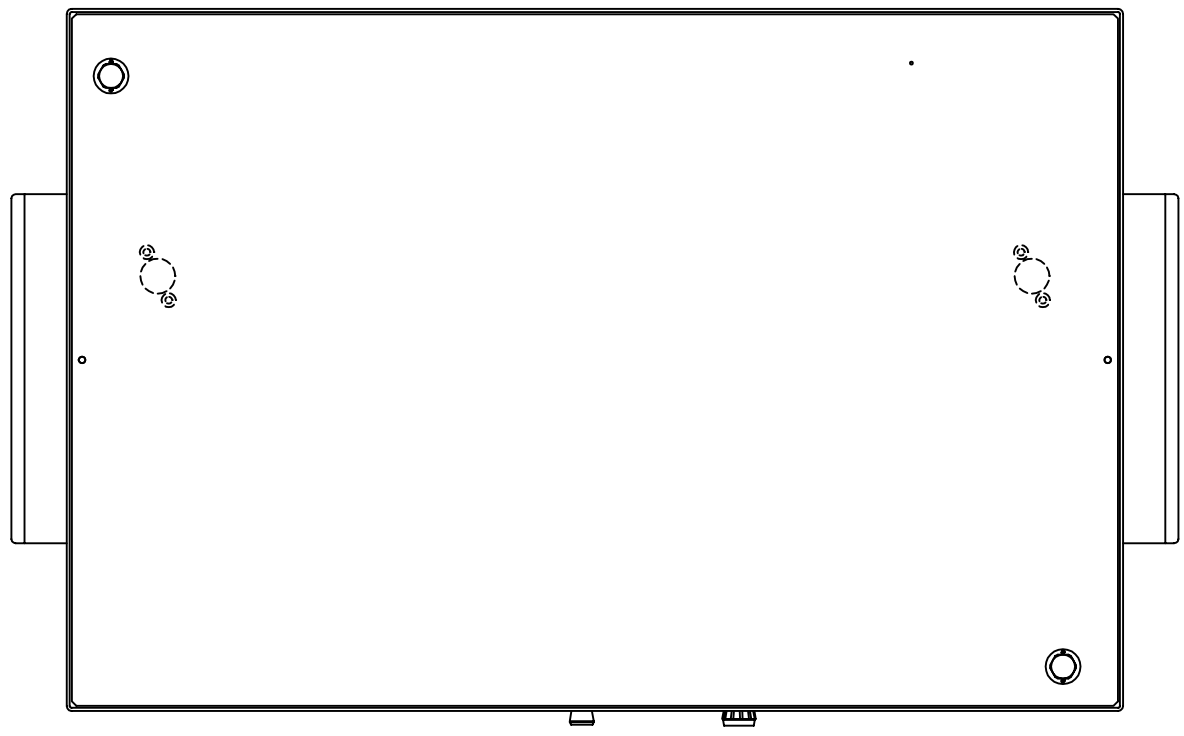


REVISIONS			
LTR	DESCRIPTION	DATE	APPROVED
A	RELEASE TO PRODUCTION	06/17/2002	JAG



NOTES: UNLESS OTHERWISE SPECIFIED.
1. THIS DRAWING IS FOR ASSY REFERENCE ONLY

FILE NO.
RR84004A

		UNLESS OTHERWISE SPECIFIED DIMENSIONS ARE IN INCHES [MM] TOLERANCES ARE: .XX .XXX ANGLES ±.015 ±.005 ±1/2°	H+W TEST PRODUCTS SEEKONK, MASSACHUSETTS	
		MATERIAL SEE BILL OF MATERIALS	FIXTURE ASSEMBLY 20x30 (18x28 UUT) TRI, TR-8001	
		FINISH NONE	SIZE FSCM NO. E	DRAWING NO. RR84004
		NEXT ASSY USED ON APPLICATION	DO NOT SCALE DRAWING	REV. A
			SCALE FULL	DRAWN JAG 06/17/2002 SHEET 1 OF 1