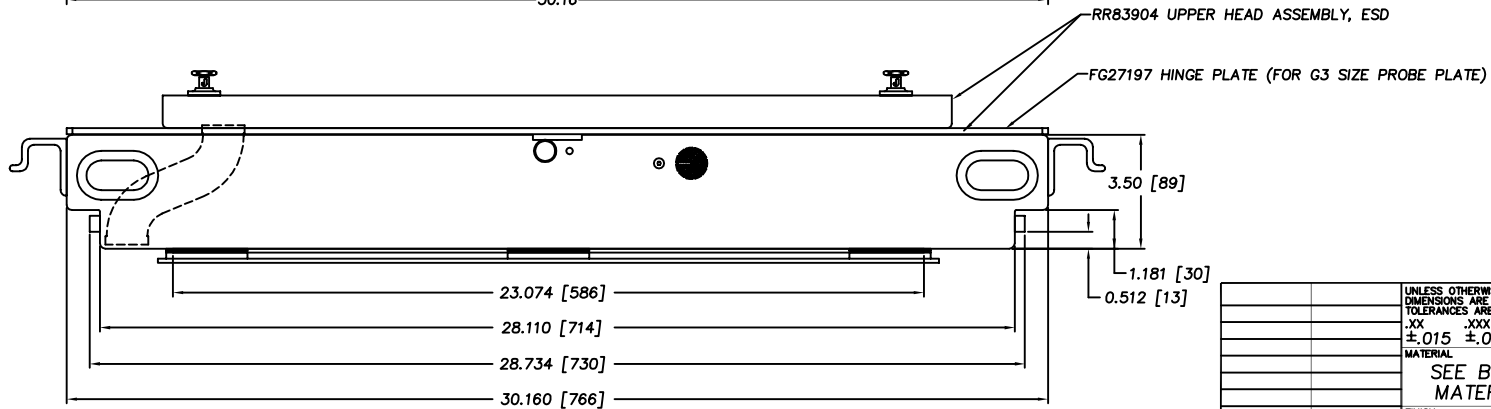
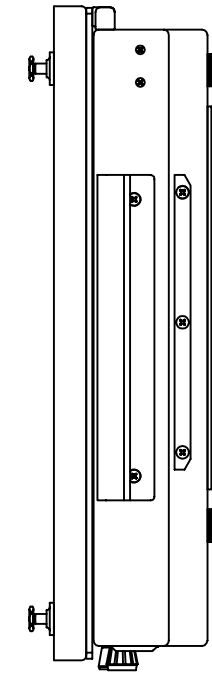
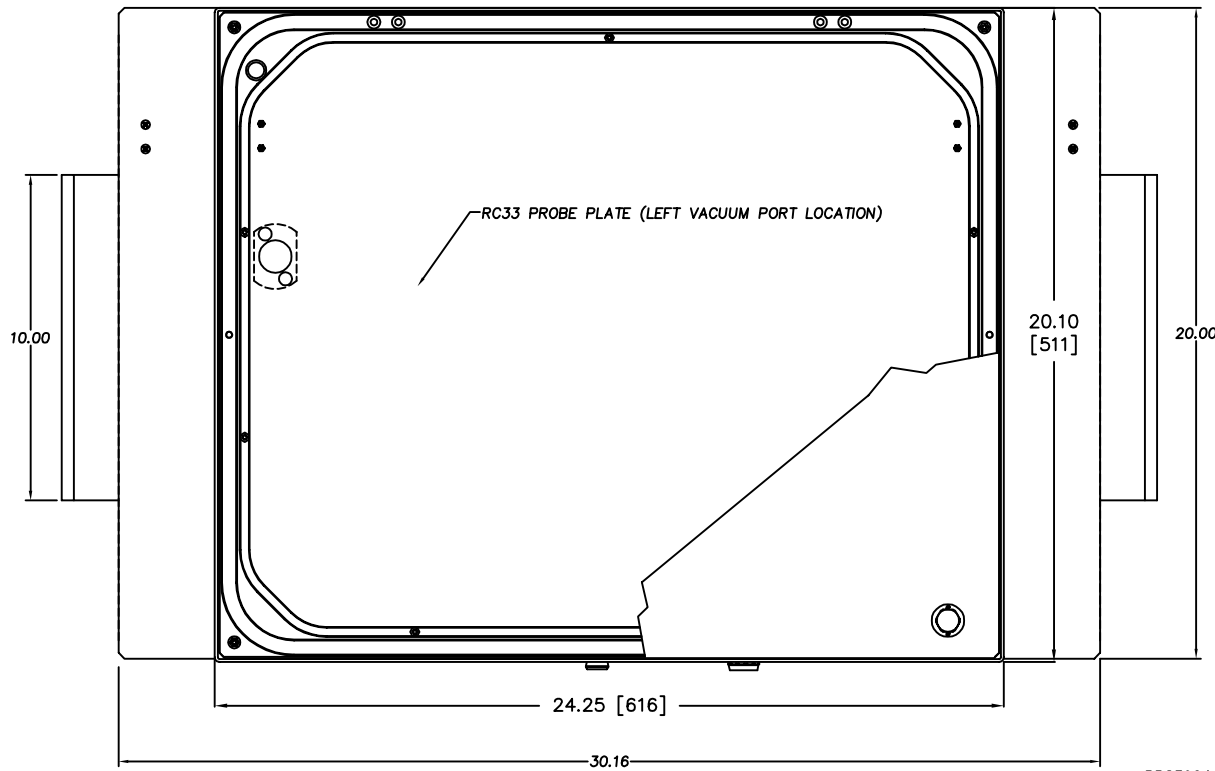


REVISIONS			
LTR	DESCRIPTION	DATE	APPROVED
A	RELEASE TO PRODUCTION	09/18/2007	JAG



UNLESS OTHERWISE SPECIFIED DIMENSIONS ARE IN INCHES (MM)		<b>H+W TEST PRODUCTS</b> SEEKONK, MASSACHUSETTS	
TOLERANCES ARE:			
.XX	.XXX	18"x22" UUT	
±.015	±.005 ±1/2°	TEST RESEARCH INC 8001	
MATERIAL		SEE BILL OF MATERIALS	
FINISH		NONE	
NEXT ASSY USED ON		SIZE	FSCM NO.
APPLICATION		D	RR83004
DO NOT SCALE DRAWING		DRAWING NO.	REV.
SCALE FULL		DRAWN JAG	09/18/2007 SHEET 1 OF 1

FILE NO.  
RR83004A