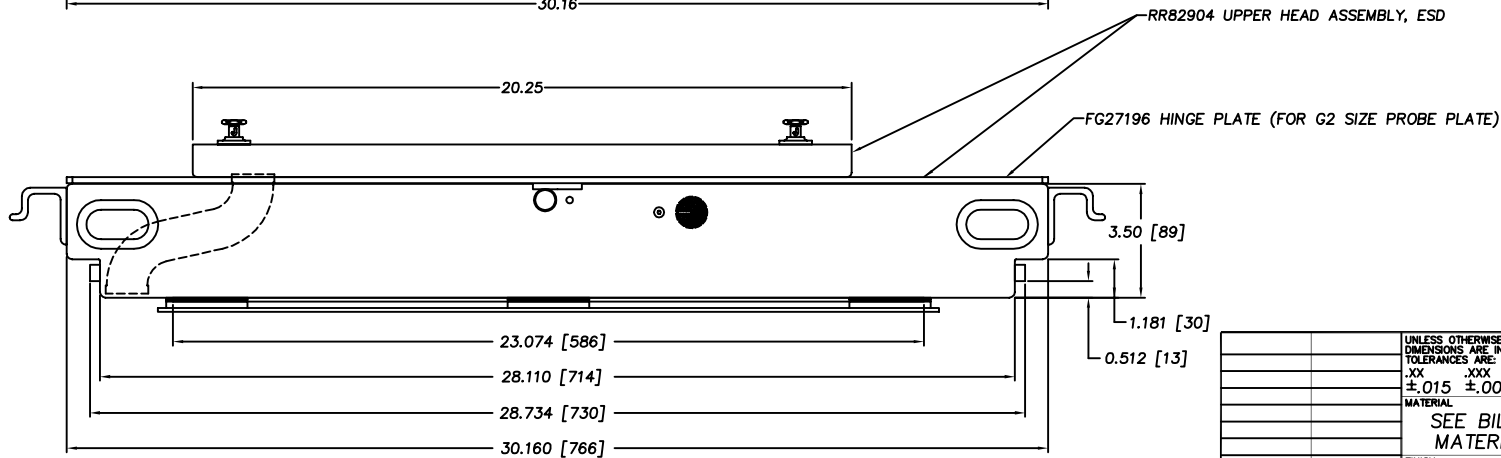
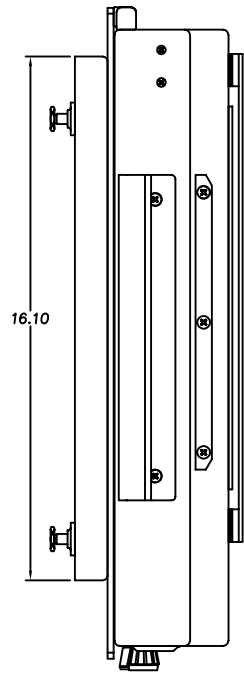
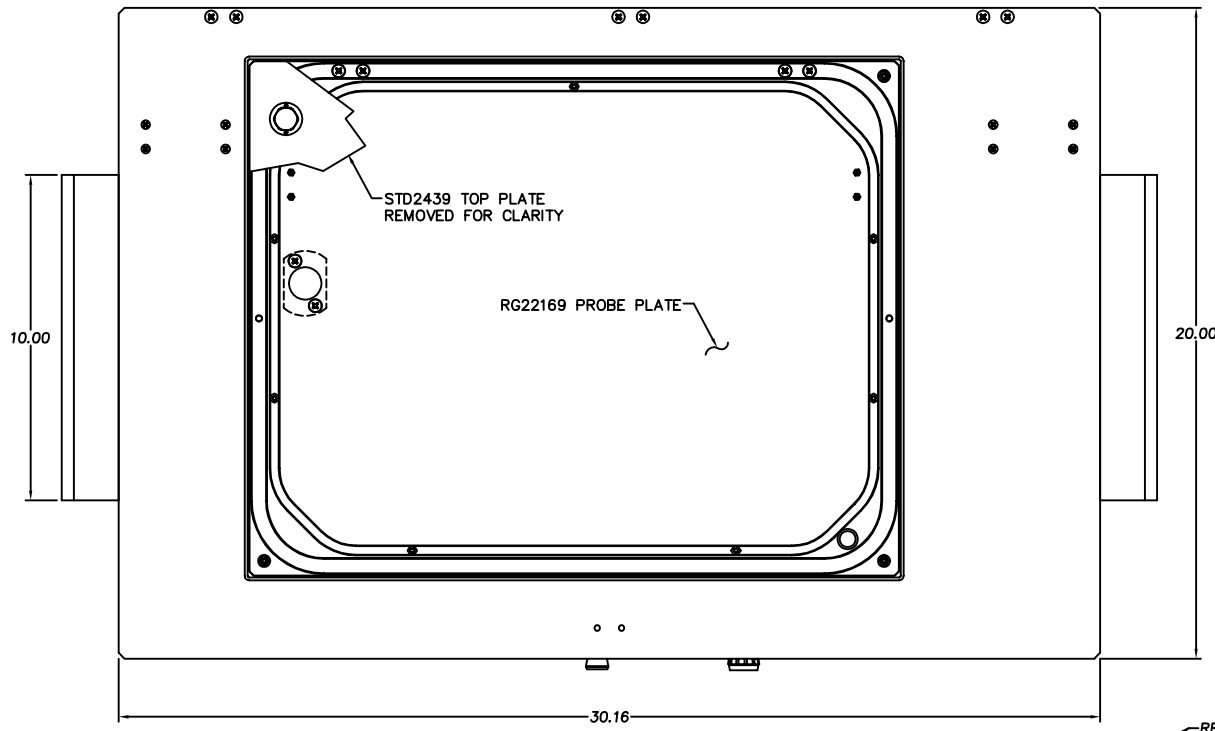


REVISIONS			
LTR	DESCRIPTION	DATE	APPROVED
A	RELEASE TO PRODUCTION	09/18/2007	JAG



FILE NO.
RR82004A

UNLESS OTHERWISE SPECIFIED DIMENSIONS ARE IN INCHES (MM) TOLERANCES ARE: .XX .XXX ANGLES ±.015 ±.005 ±1/2°		H+W TEST PRODUCTS SEEKONK, MASSACHUSETTS	
SEE BILL OF MATERIALS		14"x18" UUT TEST RESEARCH INC 8001	
FINISH NONE	SIZE D	FSCM NO. RR82004	DRAWING NO. A
NEXT ASSY APPLICATION	USED ON DO NOT SCALE DRAWING	SCALE FULL DRAWN JAG 09/18/2007 SHEET 1 OF 1	