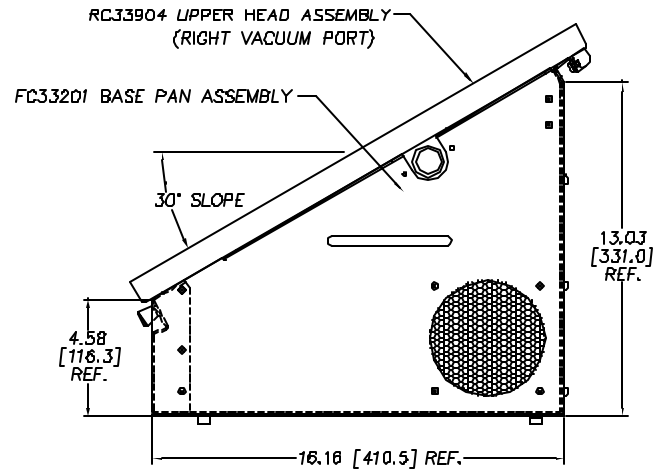
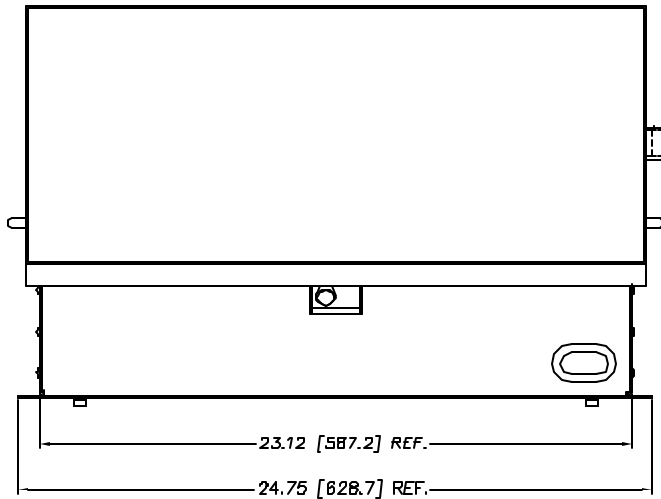
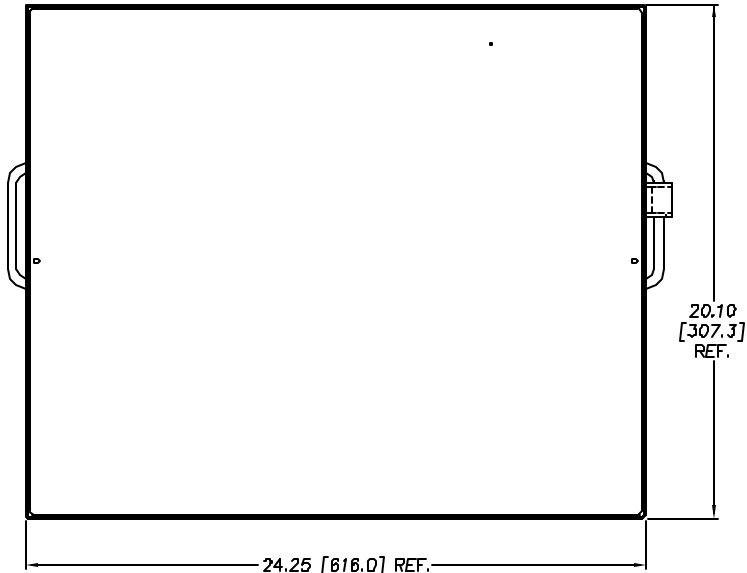


REVISIONS			
REV.	DESCRIPTION	DATE	APPROVED
A	RELEASE TO PRODUCTION	04/06/00	DLS



FILE NO.  
RC33004A

		UNLESS OTHERWISE SPECIFIED DIMENSIONS ARE IN INCHES (MM) TOLERANCES ARE:		<b>H+W TEST PRODUCTS</b> SEEKONK, MASSACHUSETTS	
		.XX	.XXX		
		± 0.015	± 0.005	± 1/2°	<b>FIXTURE ASSEMBLY</b> <b>30° SLOPED FIXTURE (18x22 UUT)</b>
		MATERIAL SEE BILL OF MATERIALS			
		FINISH SEE NOTES			SIZE <b>D</b>   FBGM NO.   DWG. NO. <b>RC33004</b>   REV. <b>A</b>
NEXT AMY	USER ON	APPLICATION		DO NOT SCALE DRAWING	SCALE <b>FULL</b>   DRAWN <b>JAG</b>   08/11/98   SHEET 1 OF 1