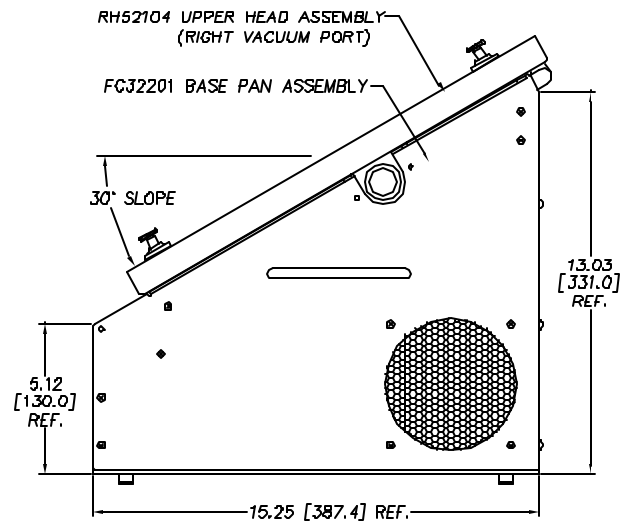
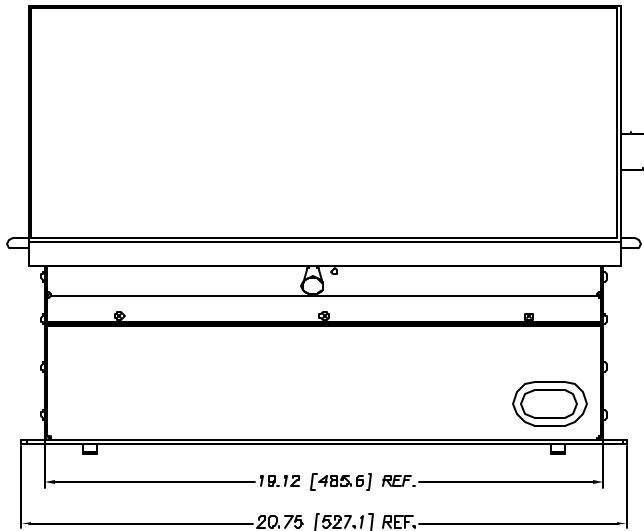
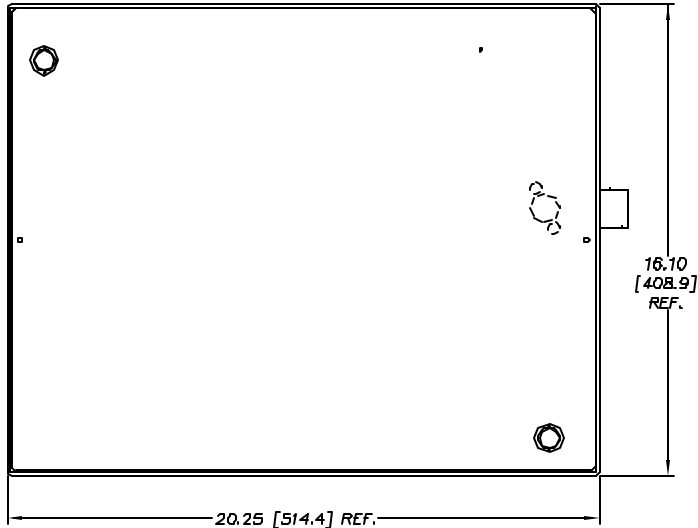


REVISIONS			
REV.	DESCRIPTION	DATE	APPROVED
A	QUICK TWIST SERIES	01/01/04	JAG



FILE NO. RC32004A

		UNLESS OTHERWISE SPECIFIED DIMENSIONS ARE IN INCHES (MM) TOLERANCES ARE:		H+W TEST PRODUCTS SEEKONK, MASSACHUSETTS	
		.XX	.XXX	FIXTURE ASSEMBLY	
		± 0.015	± 0.005	30° SLOPED FIXTURE	
		ANGLES ± 1/2°		MATERIAL SEE BILL OF MATERIALS	
		FINISH SEE NOTES		SIZE D	FSCM NO.
NEXT AMY	USER ON			DWG. NO.	RC32004
APPLICATION		DO NOT SCALE DRAWING		REV. A	
		SCALE FULL		DRAWN JAG	08/11/98
				SHEET 1 OF 1	