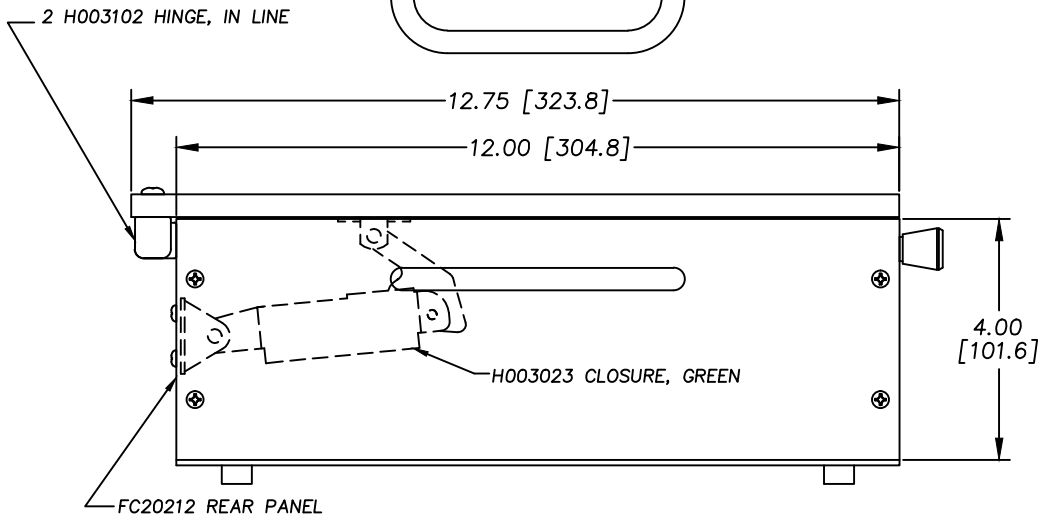
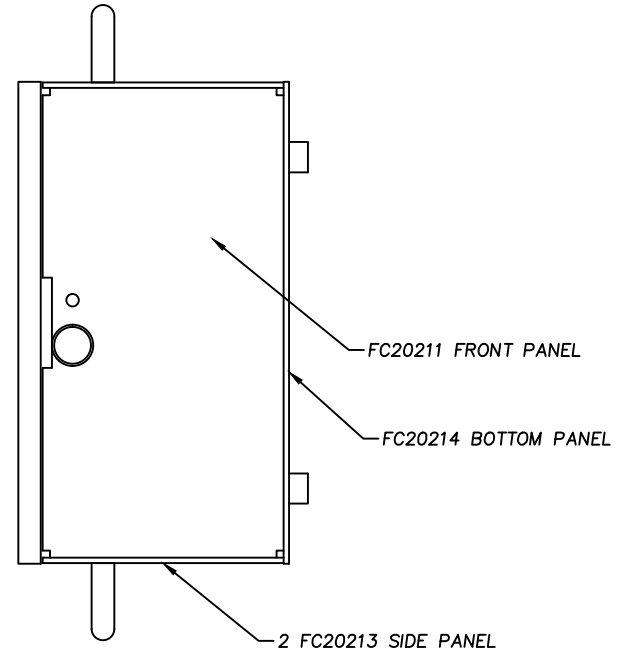
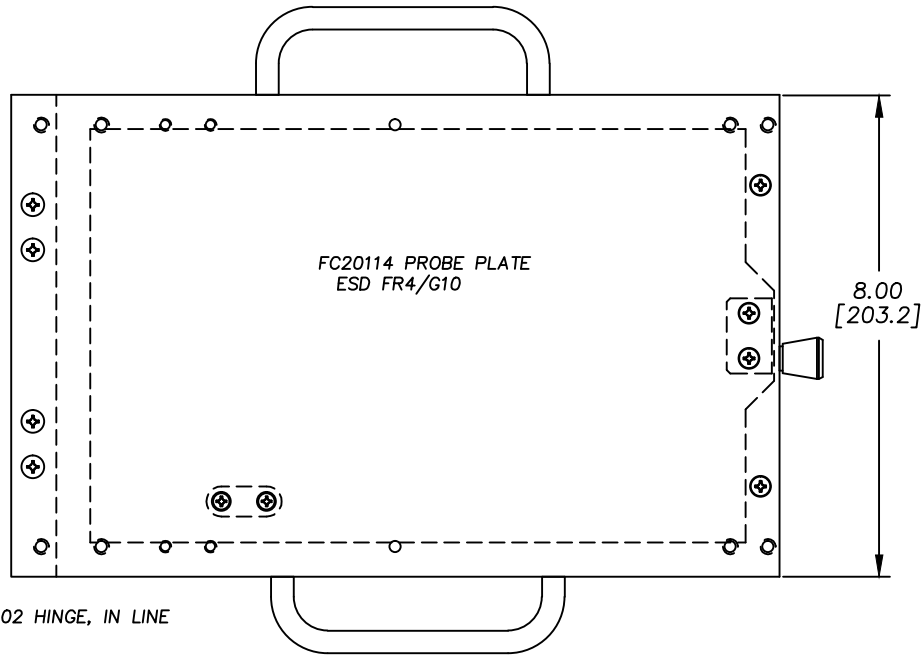


REVISIONS			
REV.	DESCRIPTION	DATE	APPROVED
A	RELEASE TO PRODUCTION	05/16/2012	JRA



FILE NO.  
FC20043A

		UNLESS OTHERWISE SPECIFIED DIMENSIONS ARE IN INCHES (MM) TOLERANCES ARE:		<b>H&amp;W TEST PRODUCTS</b> SEEKONK, MASSACHUSETTS <b>ADAPTER BOX, ESD            8x12 MECHANICAL KIT</b>	
		.XX	.XXX		
		± 0.010	± 0.005	± 1/2°	
		MATERIAL SEE BILL OF MATERIALS			
		FINISH NONE		SIZE FSCM NO.	DWG. NO.
NEXT ASSY	USED ON			D	FC20043
APPLICATION		DO NOT SCALE DRAWING		SCALE FULL	DRAWN JRA 05/21/2012 SHEET 1 OF 1

REV.  
A