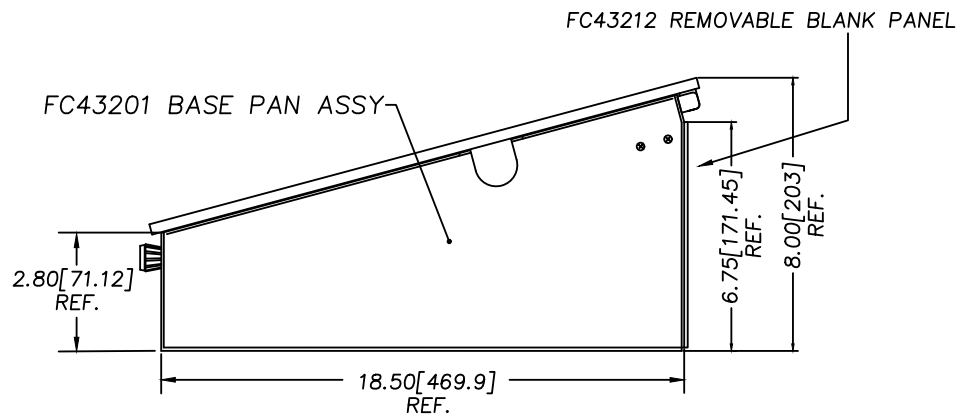
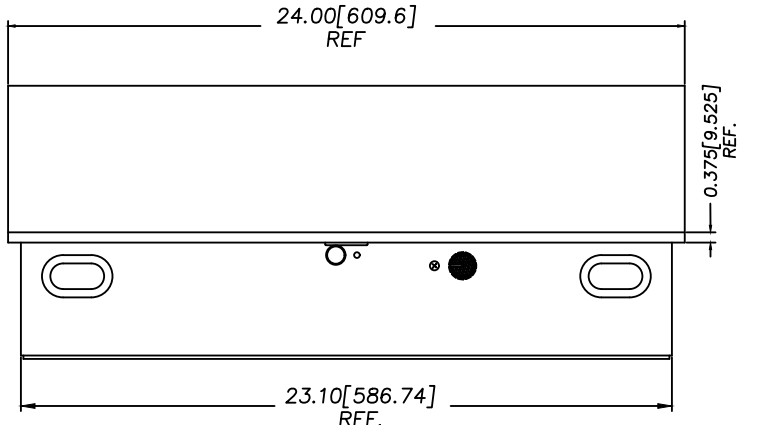
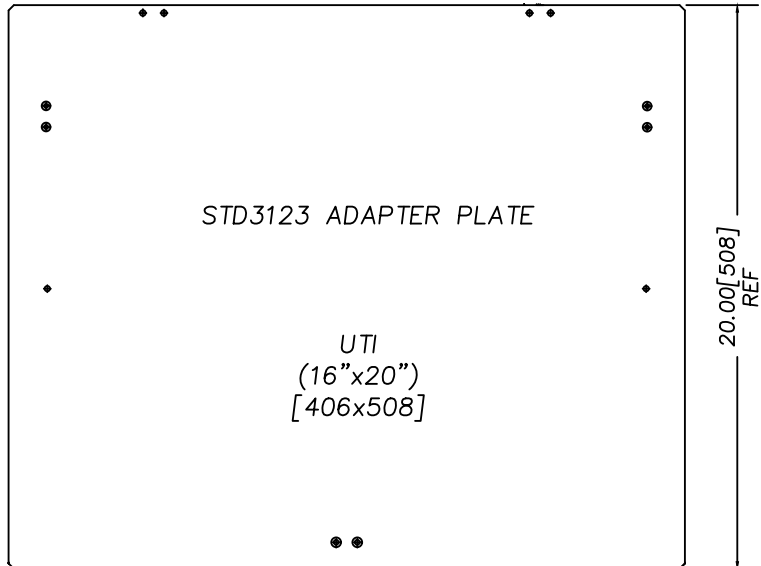


REVISIONS			
REV.	DESCRIPTION	DATE	APPROVED
A	RELEASE TO PRODUCTION	11/06/13	JRA



FILE NO.  
FC43003A

		UNLESS OTHERWISE SPECIFIED DIMENSIONS ARE IN INCHES (MM) TOLERANCES ARE: .XX .XXX ANGLES ± 0.015 ± 0.005 ± 1/2°		<b>H&amp;W TEST PRODUCTS</b> SEEKONK, MASSACHUSETTS	
		MATERIAL SEE BILL OF MATERIALS		ADAPTER BOX ASSEMBLY 15° SLOPED FIXTURE (20"x24")	
		FINISH SEE NOTES		SIZE D	FSCM NO. DWG. NO. FC43003
NEXT ASSY	USED ON			REV. A	
APPLICATION		DO NOT SCALE DRAWING		SCALE FULL	DRAWN JRA 09/03/13 SHEET 1 OF 1