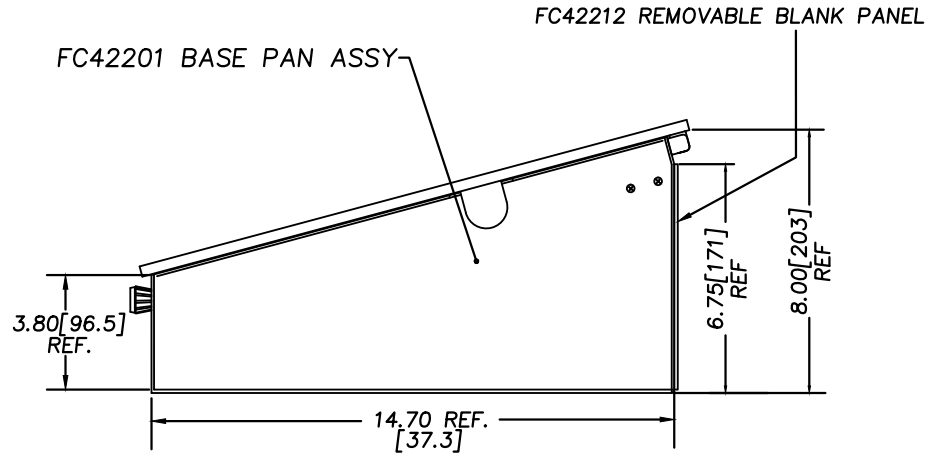
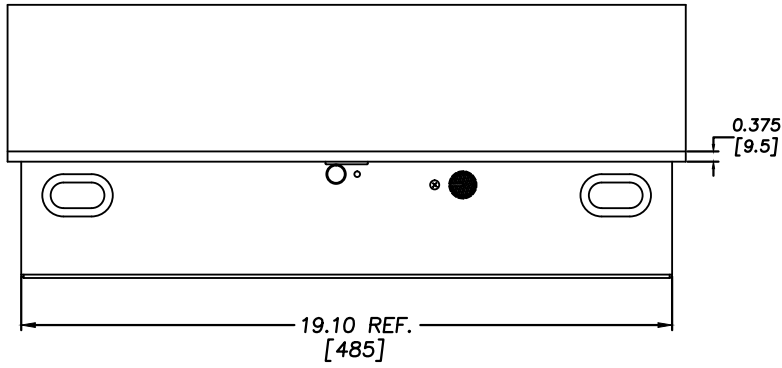
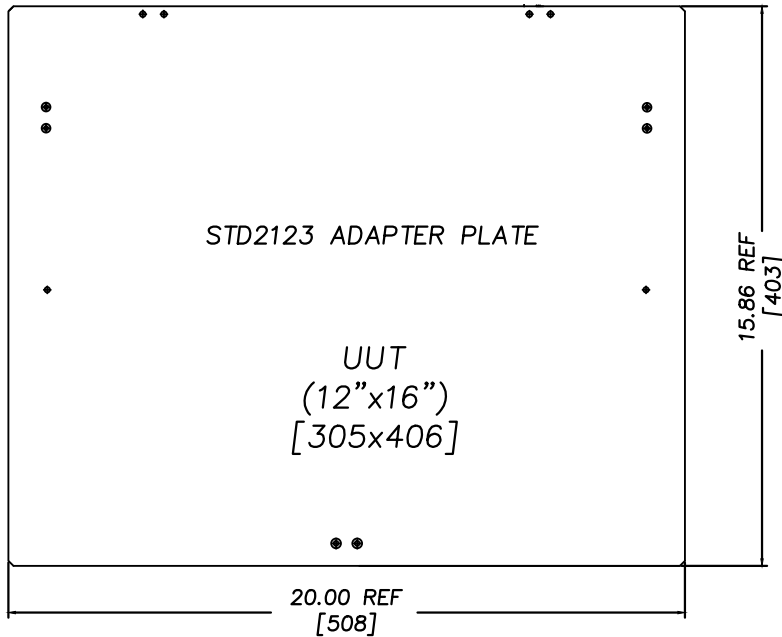


REVISIONS			
REV.	DESCRIPTION	DATE	APPROVED
A	RELEASE TO PRODUCTION	04/06/00	JAG
B	REDESIGN FRONT SURFACE	11/06/13	JRA



FILE NO. FC42003A

		UNLESS OTHERWISE SPECIFIED DIMENSIONS ARE IN INCHES (MM) TOLERANCES ARE: .XX .XXX ANGLES ± 0.015 ± 0.005 ± 1/2°		H&W TEST PRODUCTS SEEKONK, MASSACHUSETTS ADAPTER BOX ASSEMBLY 15° SLOPED FIXTURE (16"x20")	
		MATERIAL SEE BILL OF MATERIALS			
		FINISH SEE NOTES		SIZE D	FSCM NO.
NEXT ASSY	USED ON			DWG. NO. FC42003	
		APPLICATION DO NOT SCALE DRAWING		SCALE FULL	DRAWN JAG 08/11/98
				REV. B	SHEET 1 OF 1