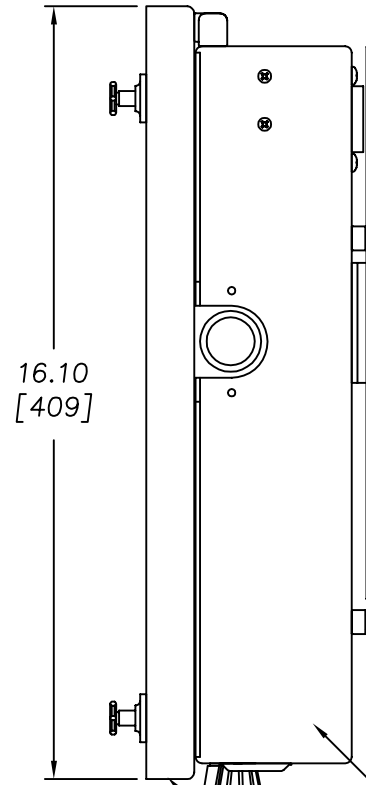
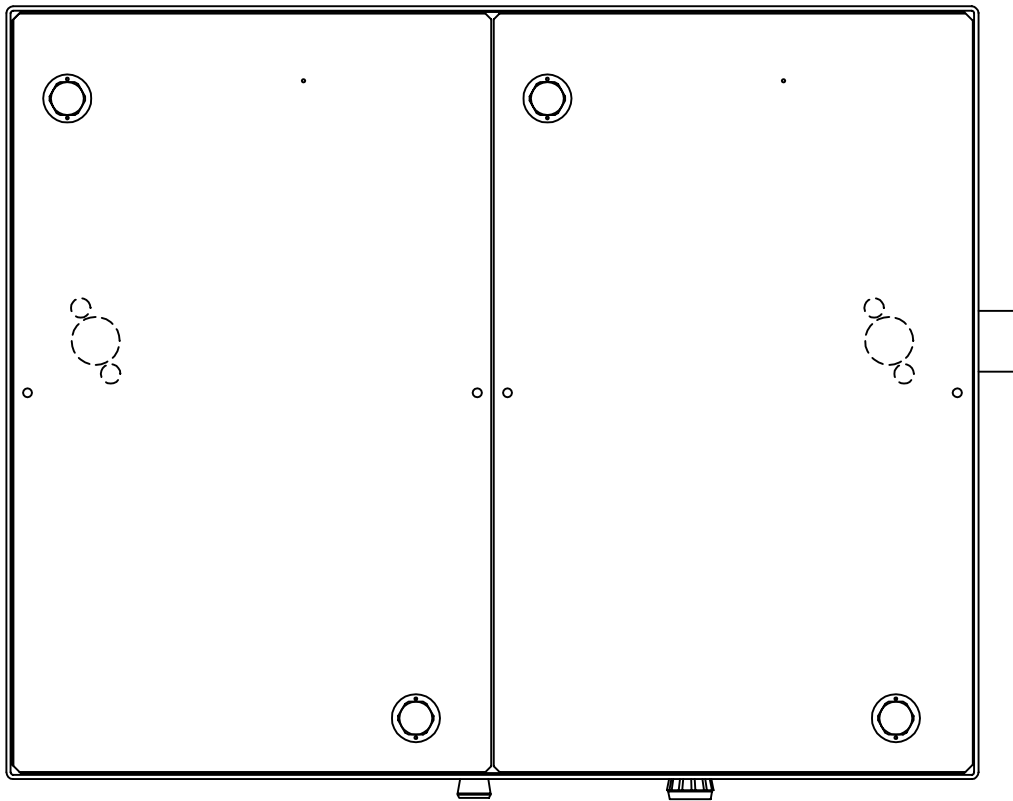


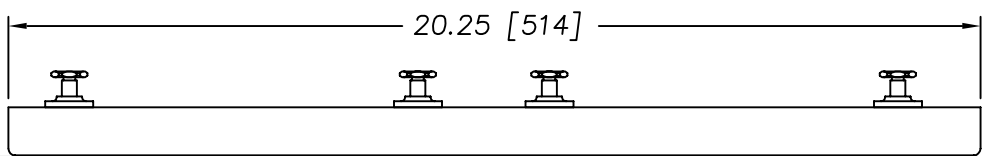
REVISIONS			
LTR	DESCRIPTION	DATE	APPROVED
A	QUICK TWIST SERIES	01/01/04	JAG



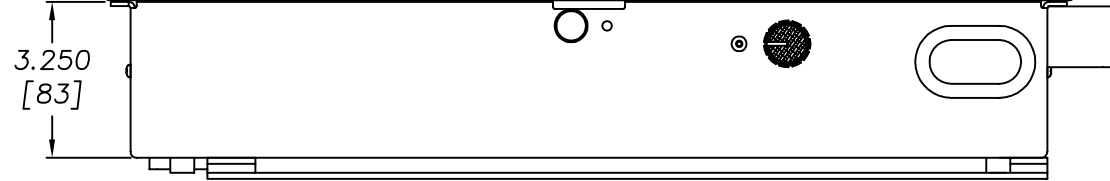
16.10
[409]

FG45201 BASE PAN ASSY

RG45904 UPPER HEAD ASSY, ESD



20.25 [514]



3.250
[83]

THIS DRAWING IS FOR ASSEMBLY REFERENCE ONLY.

		UNLESS OTHERWISE SPECIFIED DIMENSIONS ARE IN INCHES (MM) TOLERANCES ARE: .XX .XXX ANGLES ±.015 ±.005 ±1/2°		H+W TEST PRODUCTS SEEKONK, MASSACHUSETTS	
		MATERIAL SEE BILL OF MATERIALS		FIXTURE ASSEMBLY GENRAD 2283/2284	
		FINISH NONE		SIZE E	FSCM NO. DRAWING NO. RG45004 A
NEXT ASSY	USED ON	APPLICATION		SCALE FULL	DRAWN JAG 09/24/2001 SHEET 1 OF 1

FILE NO.
RG45004A