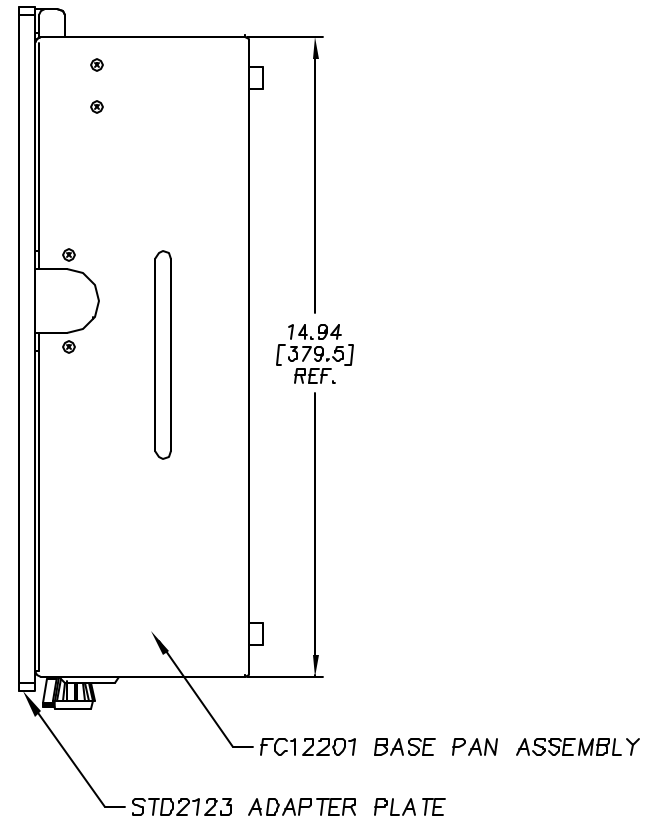
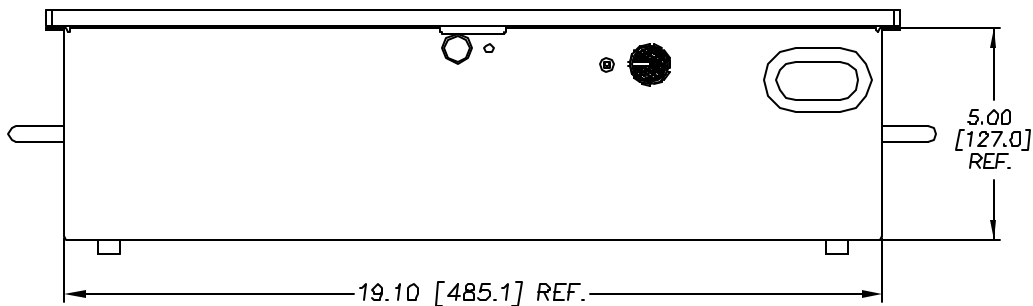
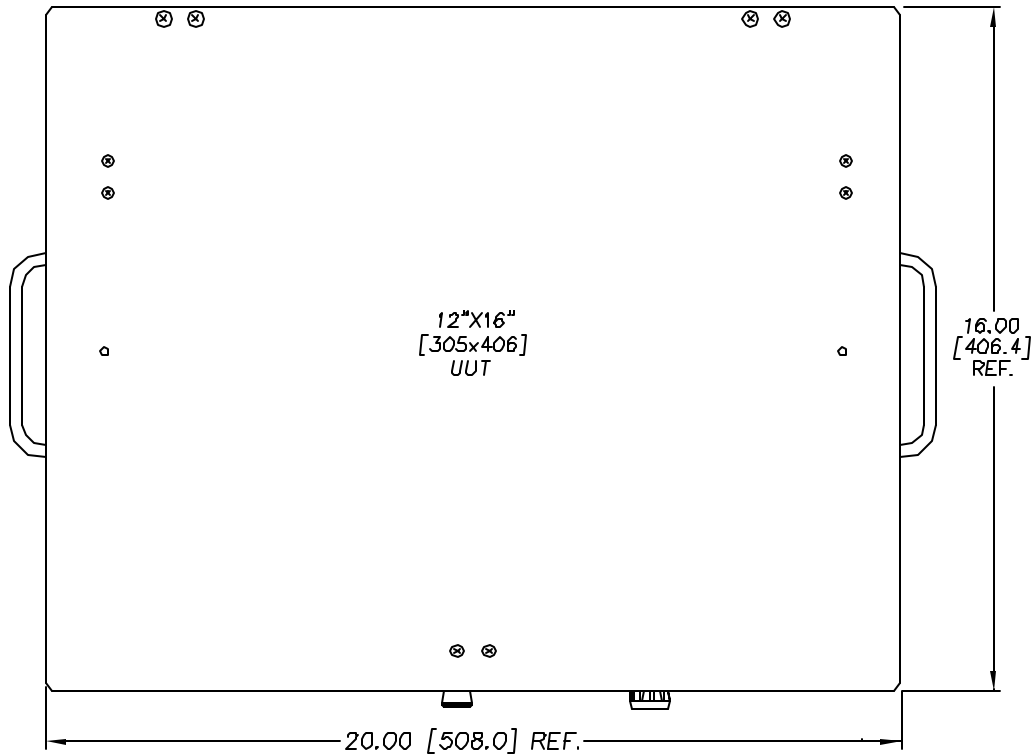


REVISIONS			
LTR	DESCRIPTION	DATE	APPROVED
A	RELEASE TO PRODUCTION	08/11/08	JAG



FILE NO.  
FC12003A

		UNLESS OTHERWISE SPECIFIED DIMENSIONS ARE IN INCHES (MM) TOLERANCES ARE: .XX .XXX ANGLES ±.015 ±.005 ±1/2"		<b>H+W TEST PRODUCTS</b> SEEKONK, MASSACHUSETTS	
		SEE BILL OF MATERIALS		ADAPT FIXTURE ASSY UNIVERSAL (12x16 UUT)	
		FINISH NONE		SIZE D	FORM NO.
NEXT ASSY APPLICATION		USED ON DO NOT SCALE DRAWING		DRAWING NO. FC12003	REV. A
				SCALE FULL DRAWN JAG 08/11/08 SHEET 1 OF 1	