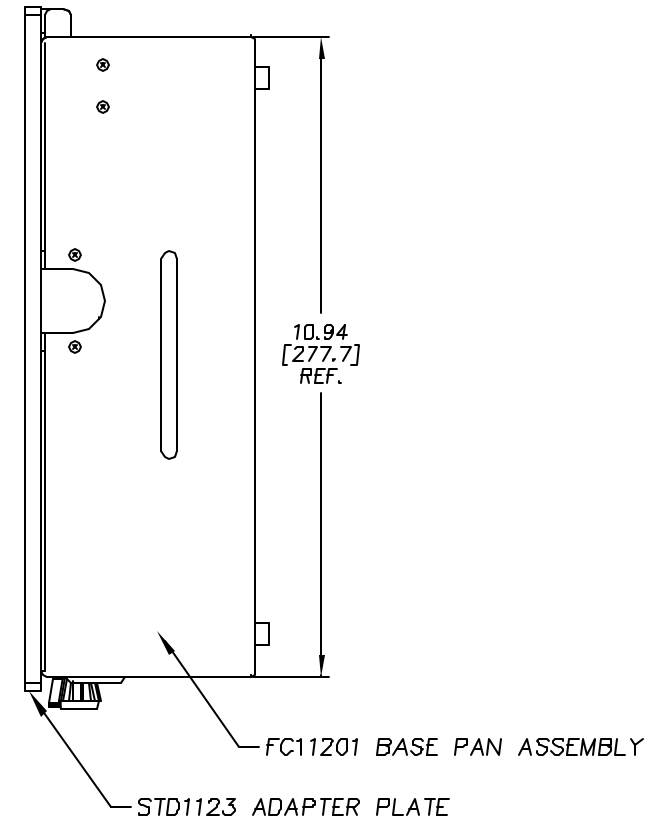
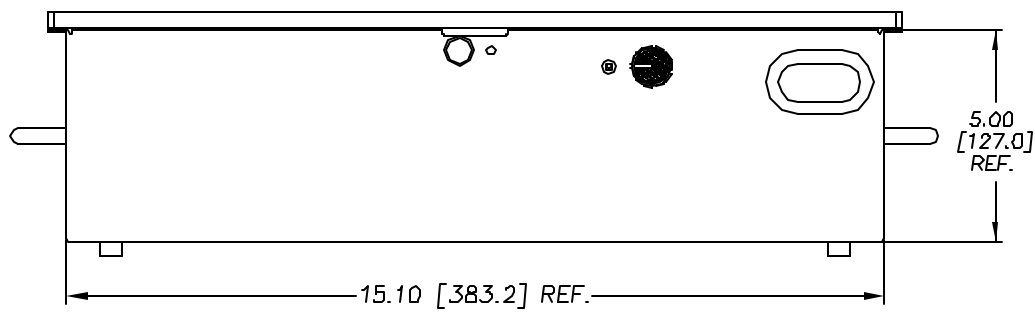
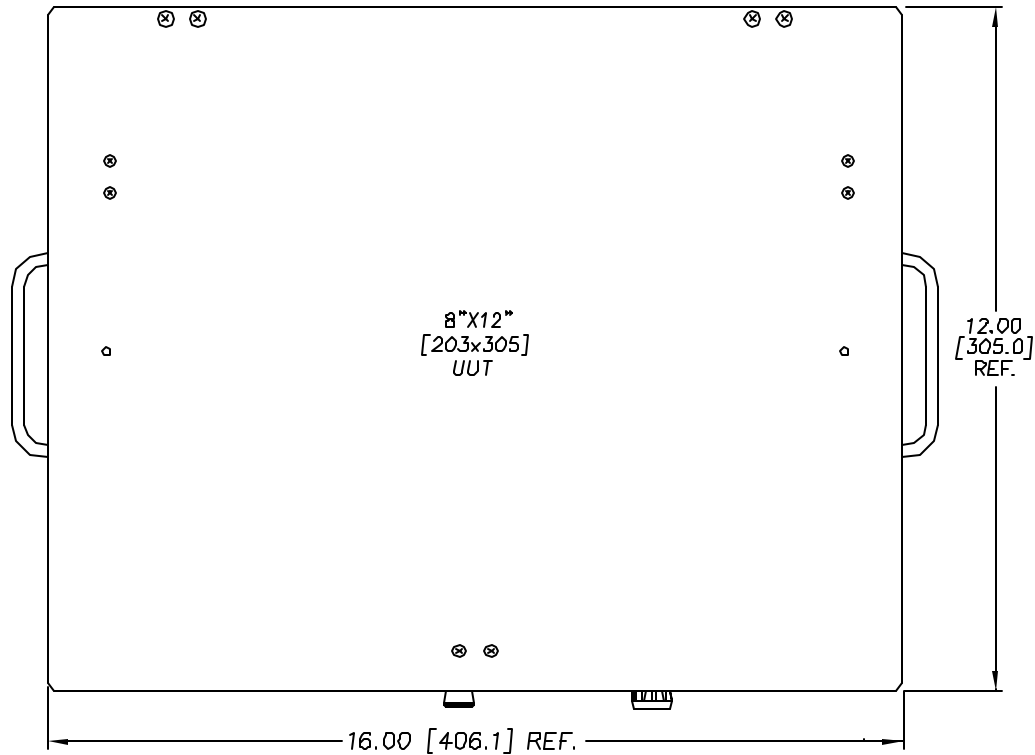


| REVISIONS | | | |
|-----------|-----------------------|----------|----------|
| LTR | DESCRIPTION | DATE | APPROVED |
| A | RELEASE TO PRODUCTION | 08/11/08 | JAG |



FILE NO.
FC11003A

| | | | | | |
|-------------|---------|--|--|---|---------------------------------|
| | | UNLESS OTHERWISE SPECIFIED DIMENSIONS ARE IN INCHES (MM) TOLERANCES ARE: .XX .XXX ANGLES ±.015 ±.005 ±1/2" | | H+W TEST PRODUCTS SEEKONK, MASSACHUSETTS | |
| | | SEE BILL OF MATERIALS | | ADAPT FIXTURE ASSY UNIVERSAL (8x12" UUT) | |
| | | FINISH: NONE | | SIZE: FC11003 | DRAWING NO.: FC11003 |
| NEXT ASSY | USED ON | | | D | A |
| APPLICATION | | DO NOT SCALE DRAWING | | SCALE FULL | DRAWN JAG 08/11/08 SHEET 1 OF 1 |