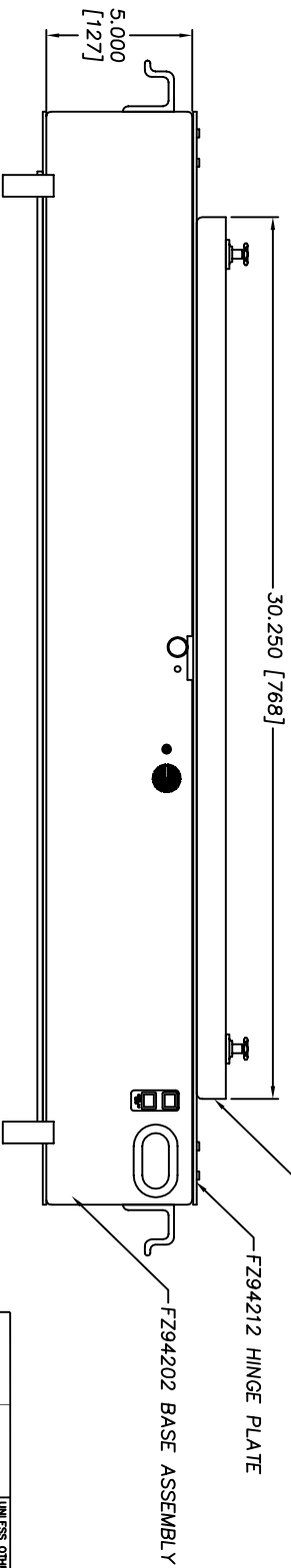
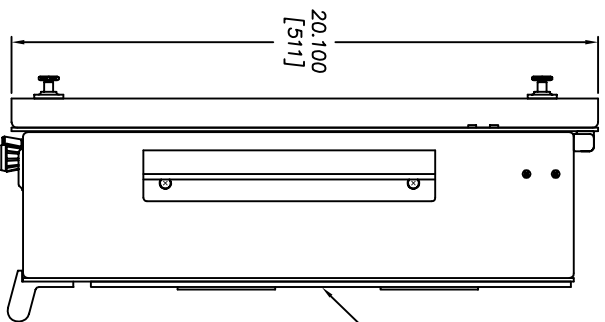
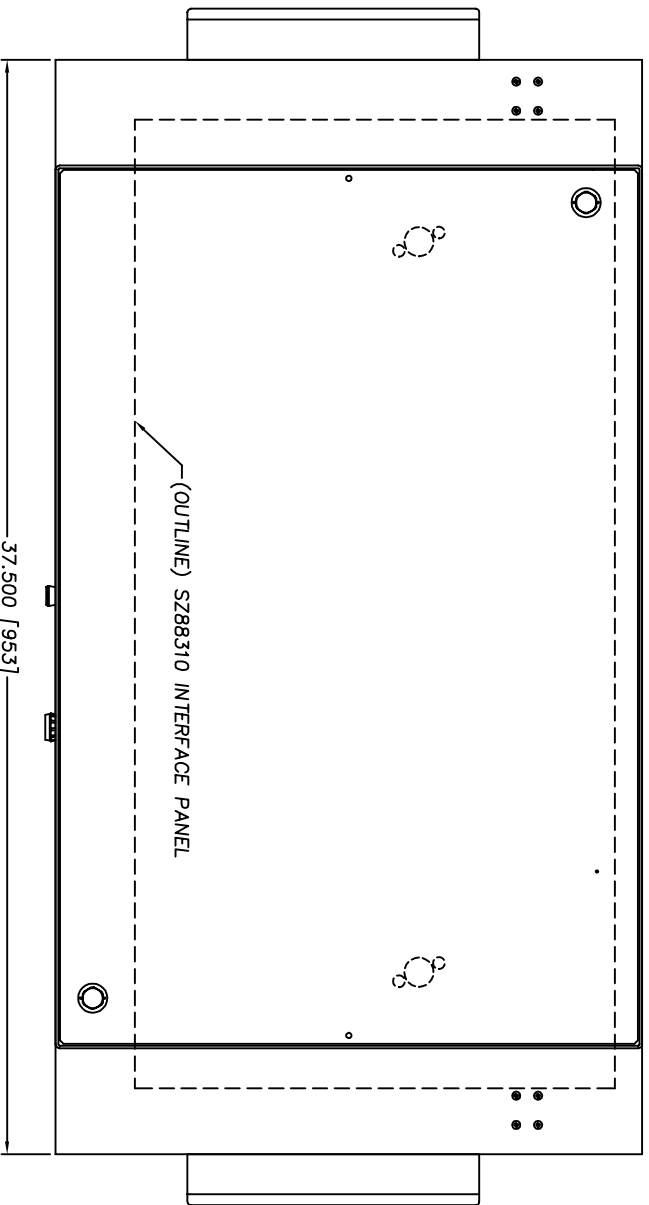


REVISIONS			
LTR	DESCRIPTION	DATE	APPROVED
A	QUICK TWIST SERIES	01/01/04	JAG



THIS DRAWING IS FOR ASSEMBLY REFERENCE ONLY

HW TEST PRODUCTS
SEARCHING MASSACHUSETTS

UNLESS OTHERWISE SPECIFIED
DIMENSIONS ARE IN INCHES (mm)
XX ANGLES
±.015 ±.005 ±1/2°
MATERIAL
SEE BILL OF MATERIALS
FINISH NONE

SIZE	D	SCALE	FULL DRAWING
DATE	10/22/06	SHEET	1 OF 1
REV	A	FILE NO.	RZ94034A
REV	A	DESCRIPTION	QUICK TWIST SERIES
REV	A	DATE	01/01/04
REV	A	APPROVED	JAG

FILE NO.
RZ94034A