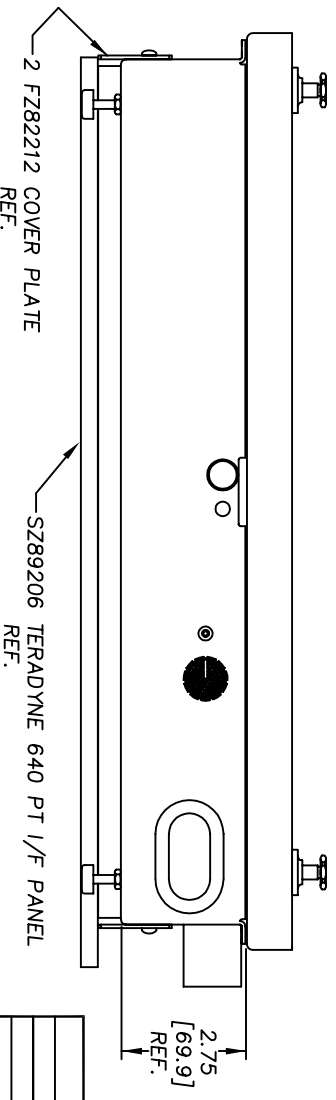
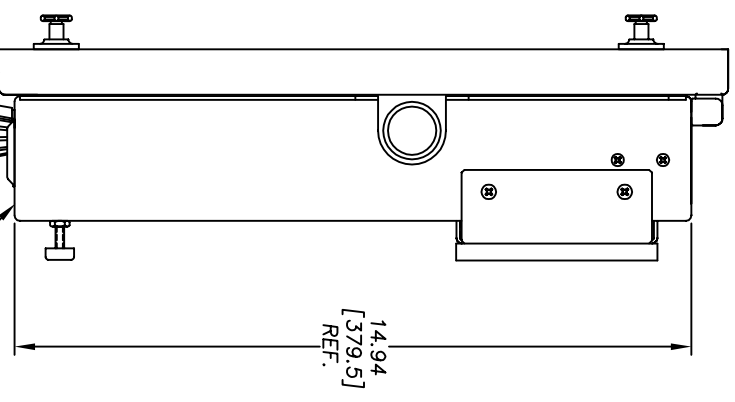
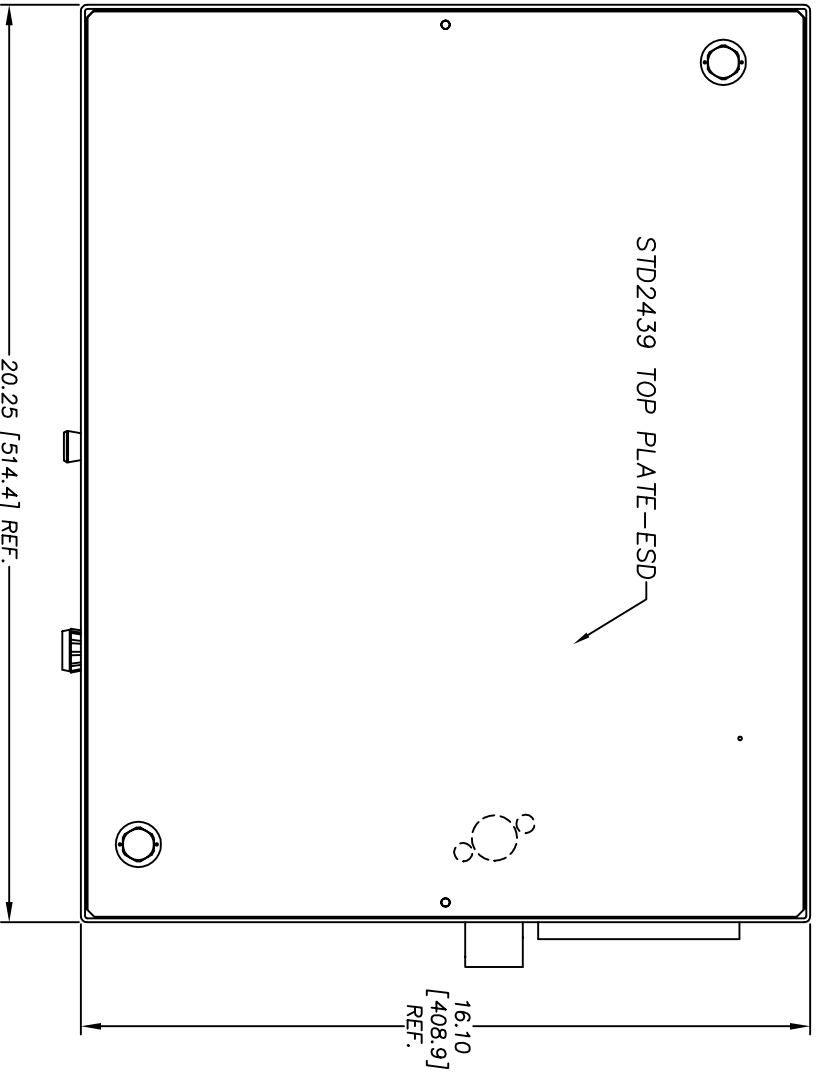


REVISIONS			
LTR	DESCRIPTION	DATE	APPROVED
A	QUICK TWIST SERIES	01/01/04	JAG



FILE NO.  
RZ82004A

UNLESS OTHERWISE SPECIFIED, DIMENSIONS ARE IN INCHES (MM) TOLERANCES ARE: XX ±.010 ANGLES ±1/2° MATERIAL .XXX FINISH NONE	SEE BILL OF MATERIALS	SCALE FULL DRAWN JAG	DRAWING NO. RZ82004
DO NOT SCALE DRAWING	FIXTURE ASSEMBLY	SIZE FSCM NO.	REV. A
NEXT ASSY APPLICATION	TERADYNE 800 (14x18 UUT)	SCALE	7/18/96 SHEET 1 OF 1

**H+W** TEST PRODUCTS  
SEERONK, MASSACHUSETTS