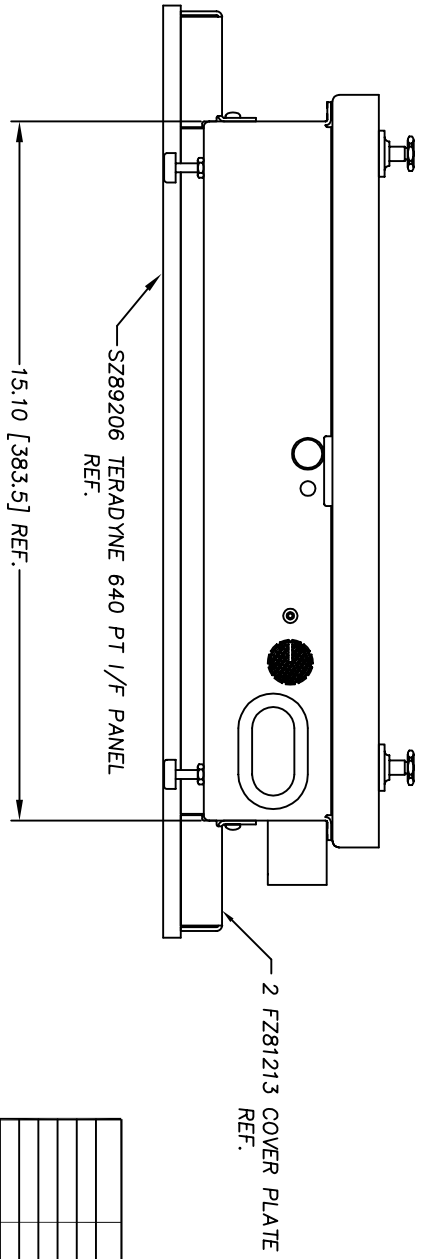
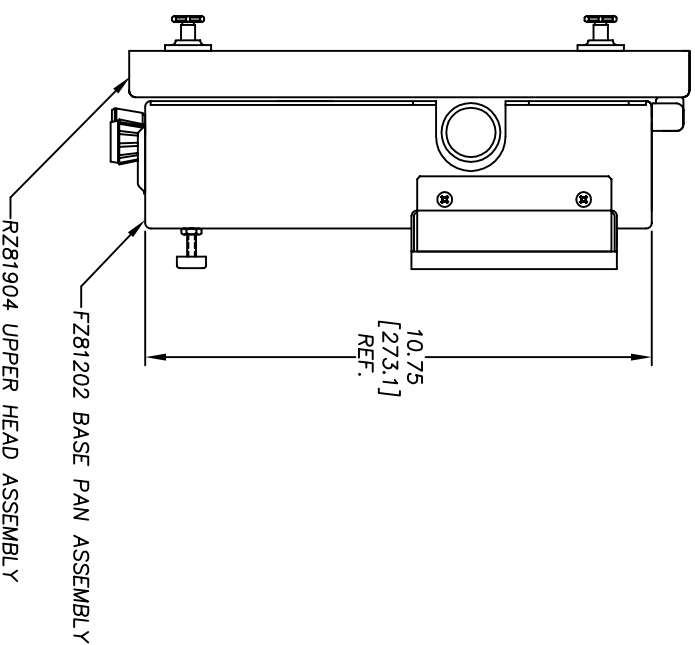
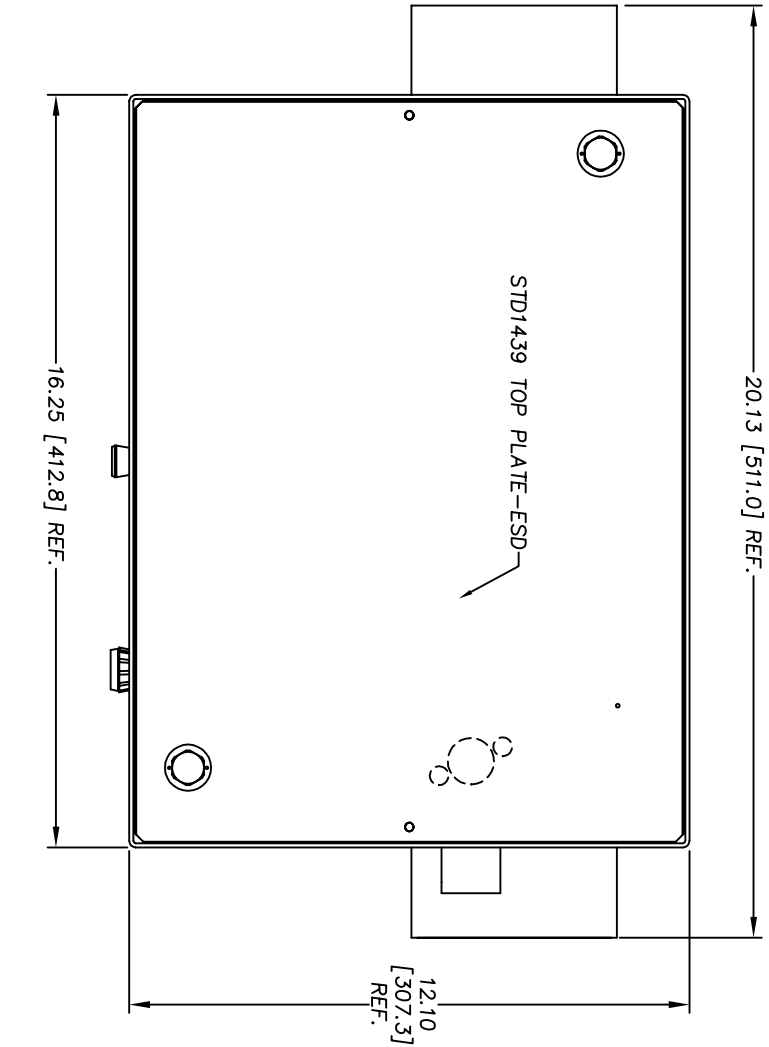


REVISIONS			
LTR	DESCRIPTION	DATE	APPROVED
A	QUICK TWIST SERIES	07/01/04	JAG



FILE NO.
RZ81024A

UNLESS OTHERWISE SPECIFIED DIMENSIONS ARE IN INCHES (MM)		 TEST PRODUCTS SERENOW, MASSACHUSETTS
DIMENSIONS: .XX ANGLES MATERIAL ±.015 ±.005 ±1/2° SEE BILL OF MATERIALS	FINISH: NONE	
SIZE: FSCM NO. D SCALE: FULL DRAWING	DRAWING NO. RZ81024 DATE: 7/18/96	REV. A
NEXT ASSY: APPLICATION USED ON:	DO NOT SCALE DRAWING	SHEET 1 OF 1