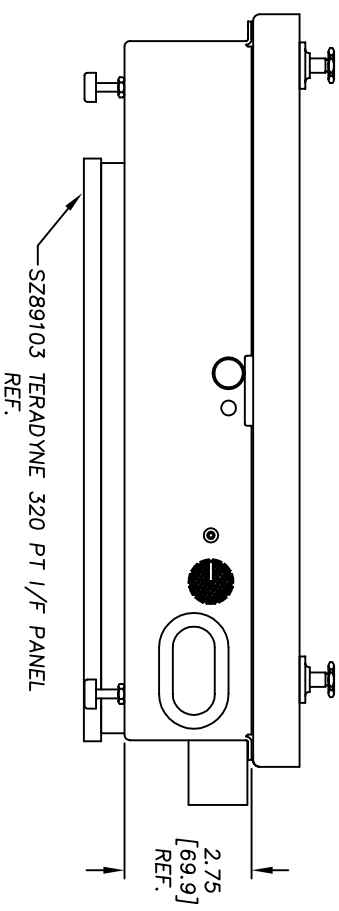
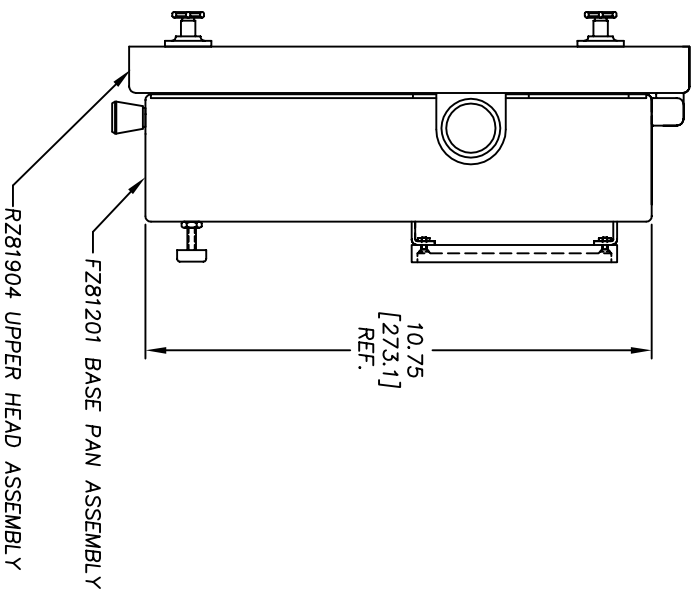
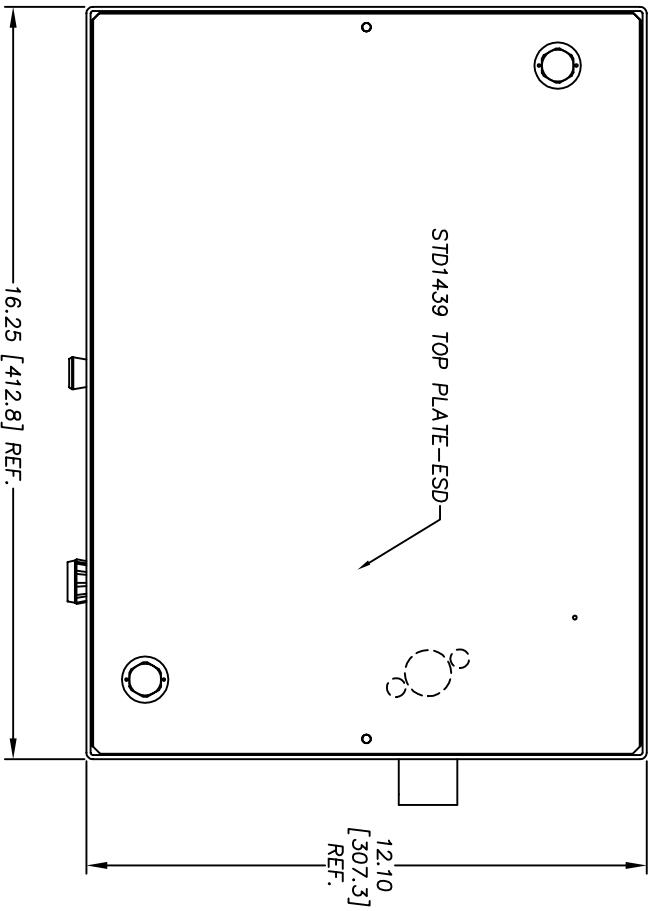


REVISIONS			
LTR	DESCRIPTION	DATE	APPROVED
A	QUICK TRIMST SERIES	01/01/04	JAG



FILE NO.
RZ81004A

UNLESS OTHERWISE SPECIFIED DIMENSIONS ARE IN INCHES (MM)	
XX	ANGLES
± 0.15 ± 0.05 ± 1/2"	
MATERIAL SEE BILL OF MATERIALS	
FINISH NONE	
DO NOT SCALE DRAWING	
SCALE FULL DRAWING	JAG
DATE	7/18/96
SHEET	1 OF 1

H+W TEST PRODUCTS
SERVING MASSACHUSETTS

FIXTURE ASSEMBLY
TERADYNE 800 (10x14 UUT)

SIZE FSOA NO. DRAWING NO.
D RZ81004 A