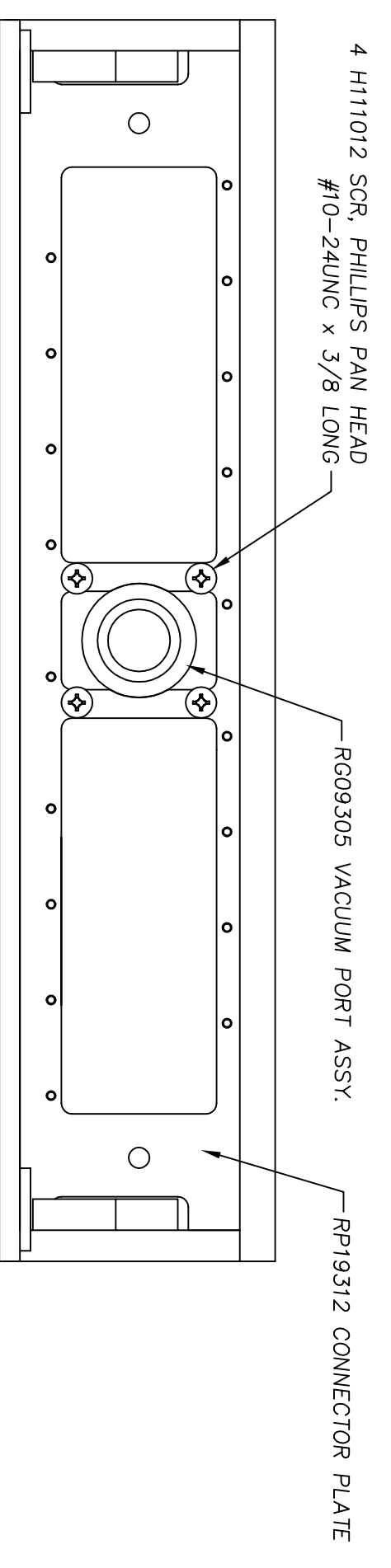
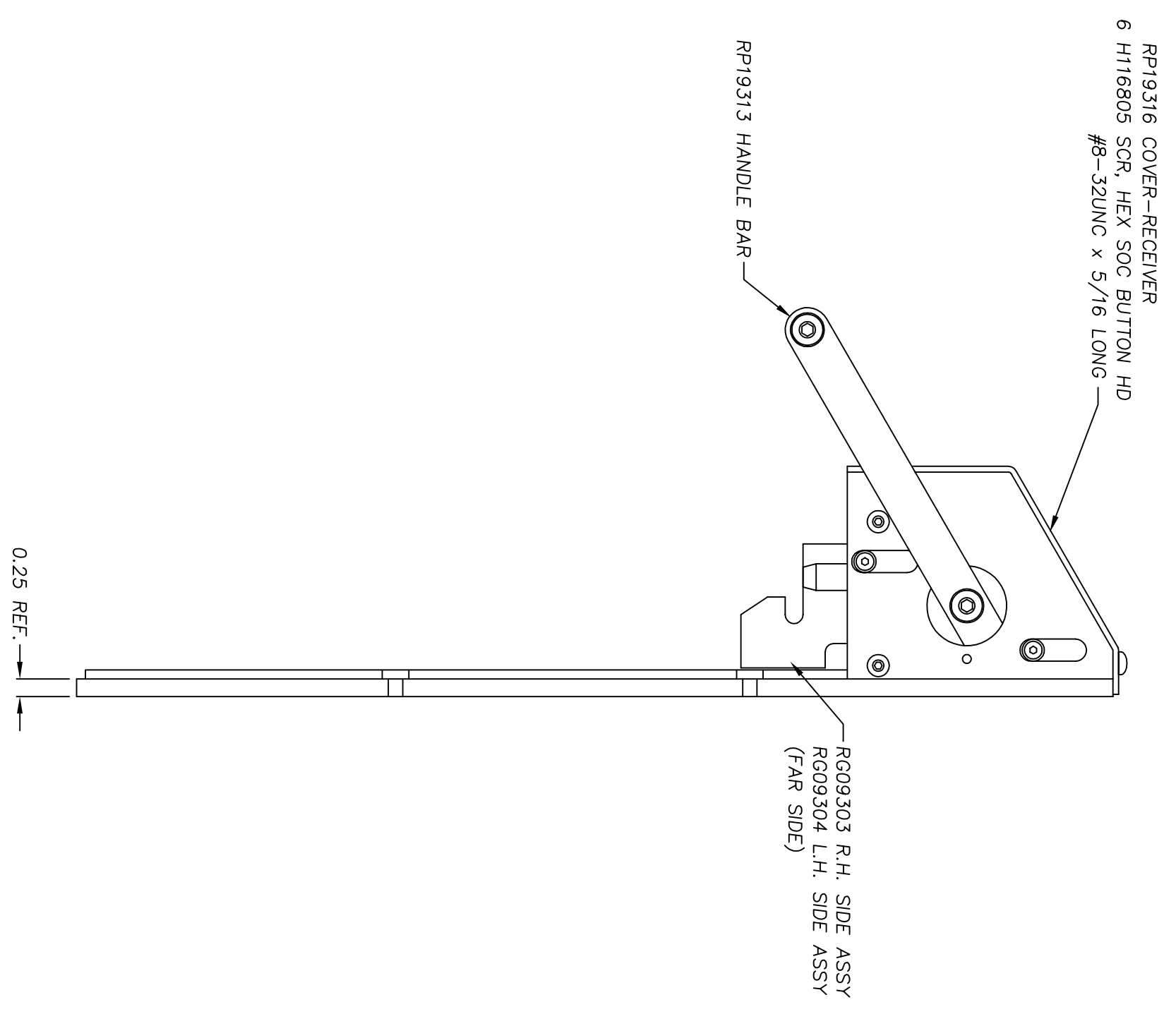
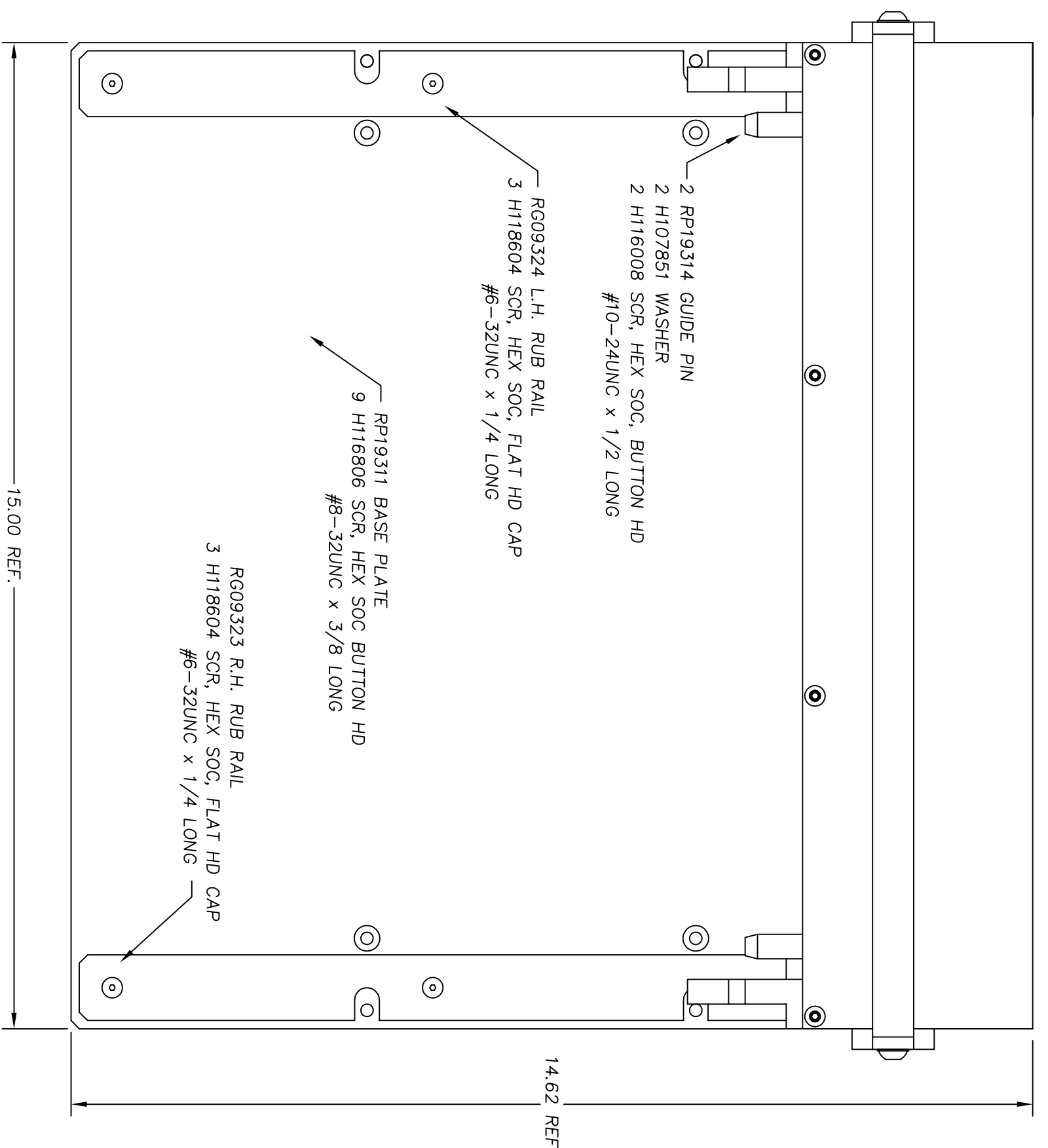


REVISIONS			
LTR	DESCRIPTION	DATE	APPROVED
A	RELEASE TO PRODUCTION	3/05/99	JAG



FILE NO.  
RP19001A

UNLESS OTHERWISE SPECIFIED DIMENSIONS ARE IN INCHES (MM) TOLERANCES ARE:	ANGLES	FINISH	DO NOT SCALE DRAWING
.XX	.XXX	NONE	
±.010	±.005 ±1/2°	SEE BILL OF MATERIALS	
MATERIAL			
NEXT ASSY	USED ON		
APPLICATION			

**H+W TEST PRODUCTS**  
SEEKONK, MASSACHUSETTS

RECEIVER ASSEMBLY  
PYLON 1280 PT.

SIZE FSQM NO. DRAWING NO. REV.  
D | | RP19001 | A

SCALE FULL DRAWN JAG 03/05/99 SHEET 1 OF 1