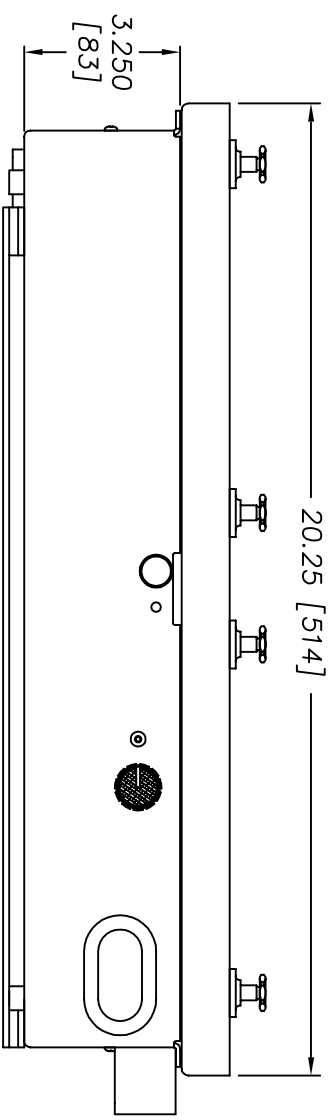
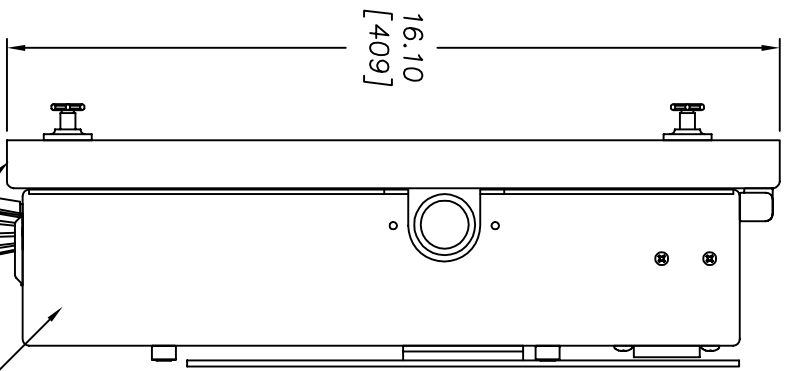
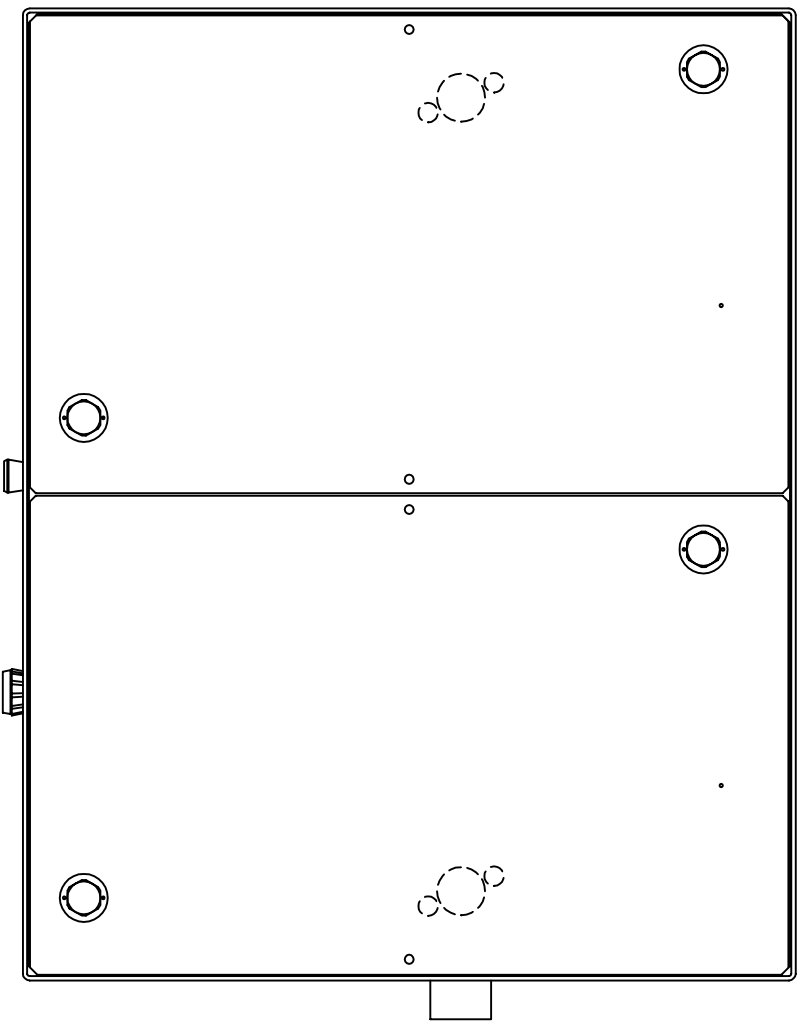


REVISIONS			
LTR	DESCRIPTION	DATE	APPROVED
A	QUICK TWIST SERIES	01/01/04	JAG



THIS DRAWING IS FOR ASSEMBLY REFERENCE ONLY.

UNLESS OTHERWISE SPECIFIED DIMENSIONS ARE IN INCHES (MM)		TOLERANCES ARE:		ANGLES	
XX	XXX	±.015	±.005	±1/2°	
MATERIAL					
SEE BILL OF MATERIALS					
FINISH					
NONE					
NEXT ASSY		USED ON		DO NOT SCALE DRAWING	
APPLICATION				SCALE FULL DRAWN JAG 09/24/2001 SHEET 1 OF 1	

**H+W** TEST PRODUCTS  
SERRONKI, MASSACHUSETTS

FIXTURE ASSEMBLY  
GENRAD 2283/2284

SIZE FSCM NO. DRAWING NO. REV.  
**E** **RG45004 A**

FILE NO.  
RG45004A