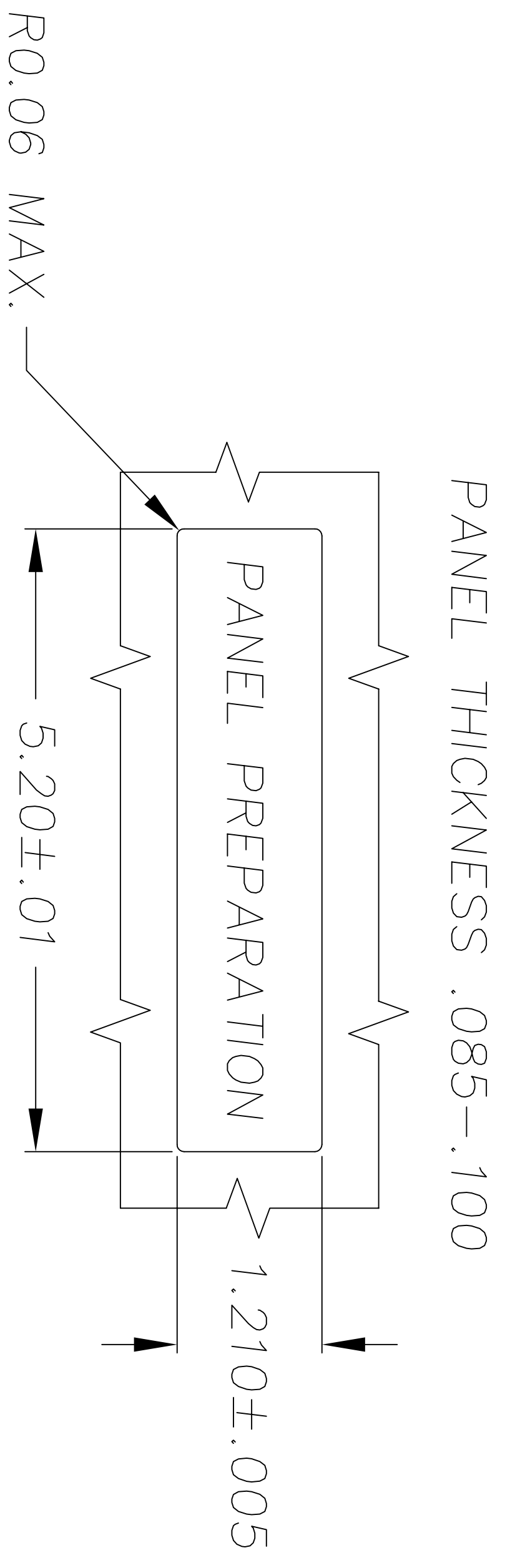
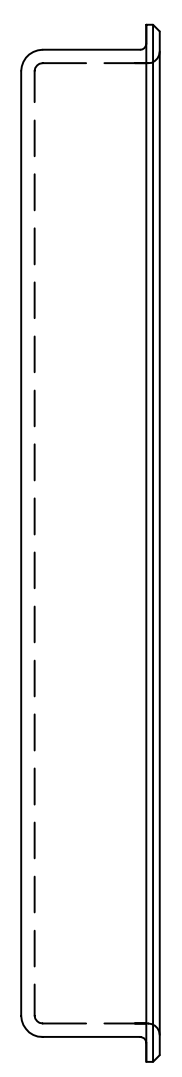
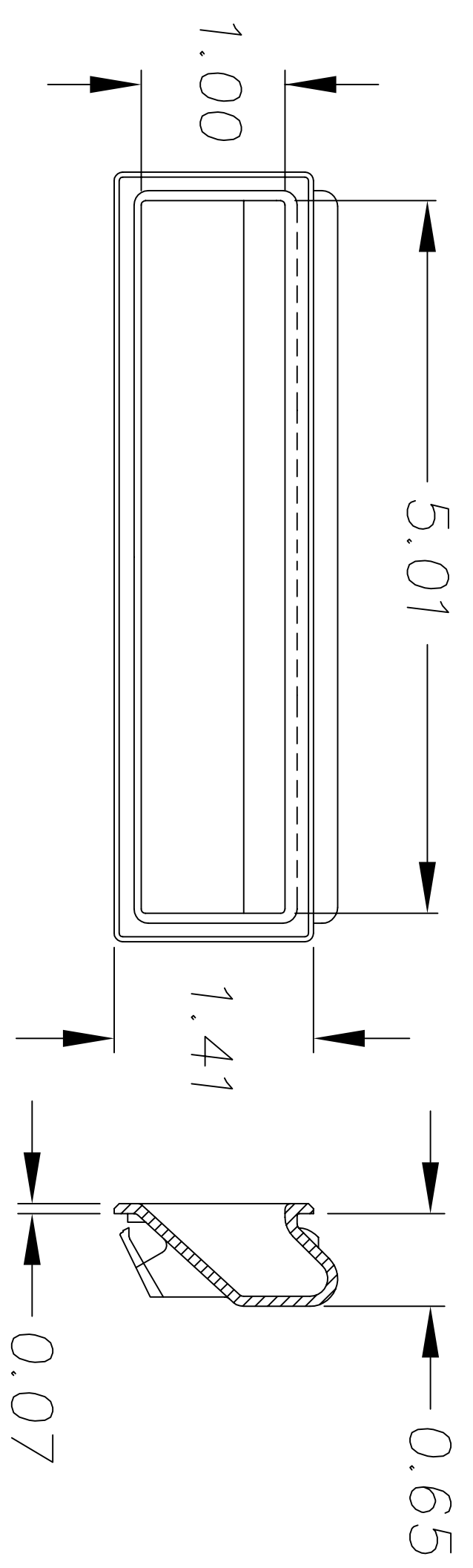
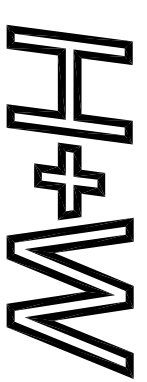


REVISIONS			
REV.	DESCRIPTION	DATE	APPROVED
A	RELEASE TO PRODUCTION	4/4/95	JAG



UNLESS OTHERWISE SPECIFIED DIMENSIONS ARE IN INCHES (MM) TOLERANCES ARE: .XX .XXX ANGLES ± .015 ± .005 ± 1°		CONTRACT NO.		DRAWN APPROVALS DATE		 TEST PRODUCTS SEEKONK, MASSACHUSETTS	
MATERIAL NONE		DRAWN JAG 4/4/95		CHECKED		POCKET PULL HANDLE SPECIFICATION CONTROL DRAWING	
FINISH BLACK		ISSUED		SIZE FSCM NO. A		DWG. NO. H008104	
NEXT ASSY USED ON				SCALE FULL		REV. A	
APPLICATION DO NOT SCALE DRAWING				SHEET 1 OF 1			